

**PCB4Q-C-1064** BBO Pockels cell with four BBO crystals

Crystal size: 4x4x20 mm

Clear aperture: diameter 3.5 mm

Half wave voltage at 1064 nm:  $< 2 \times 2.6$  kV DC

Quarter wave voltage at 1064 nm:  $< 2 \times 1.3$  kV DC

Capacitance:  $2 \times < 6$  pF

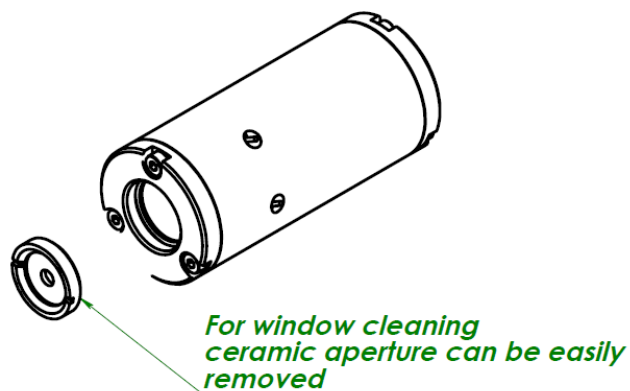
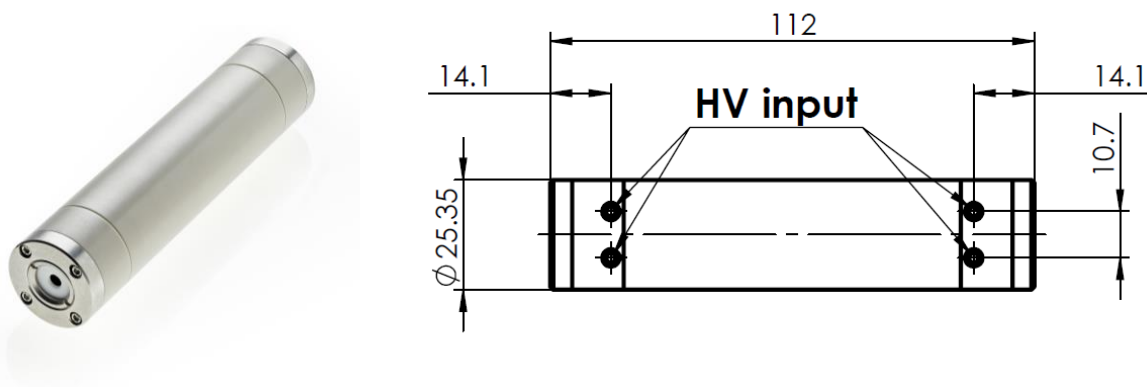
Optical transmission:  $> 98$  % at 1064 nm

Contrast ratio in crossed polarizers (ICR):  $> 1:500$  (no voltage is applied)

Damage threshold of AR coatings:  $> 0.5$  GW/cm<sup>2</sup> (5 J/cm<sup>2</sup>), 1064 nm, 10 Hz, 10 ns

With ceramic apertures and protective windows on both ends

Cell size: diameter 25.4 mm x 112 mm (L)



Outline picture and drawing of **PCB4Q** BBO Pockels cell

The specifications are subject to change without any notice in advance.