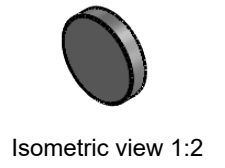
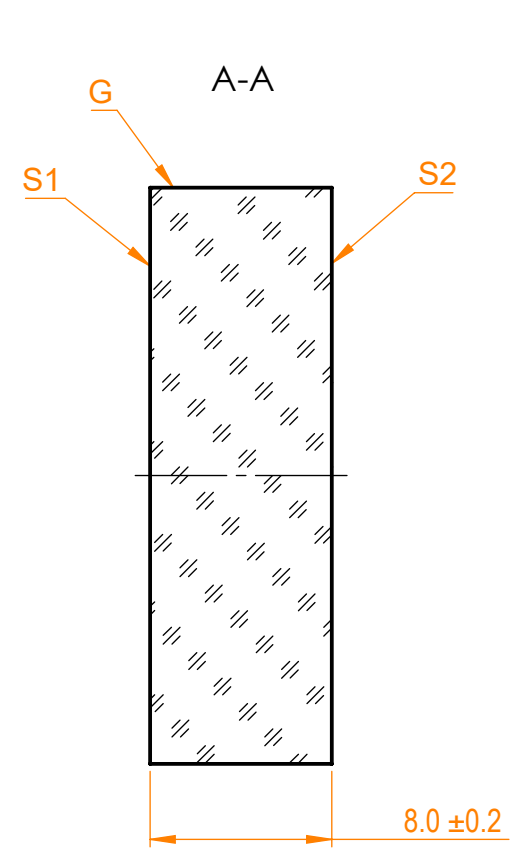
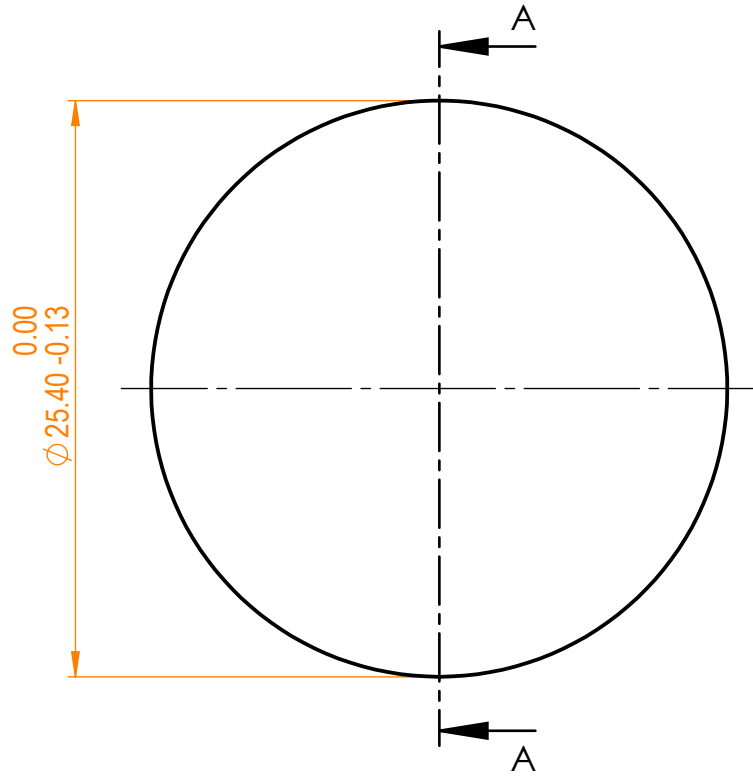



- NOTES:  
 1. Material: sapphire, orientation c-cut [111];  
 2. G - Fine ground surface;  
 3. TWD:  $<1 \lambda @ 633 \text{ nm}$ ;  
 4. Parallelism:  $<3 \text{ arcsec}$ ;  
 5. All dimensions are in mm.



Specifications are subject to change without notice  
 Dimensions are for reference only

Parameters		
	S1	S2
Shape	Plano	Plano
Surface quality	60-40 s/d	60-40 s/d
Surface flatness	-	-
Protective chamfers	0.2 - 0.3 mm x 45°	0.2 - 0.3 mm x 45°
Clear aperture	≥90%	≥90%
Coating	-	-



info@eksmaoptics.com  
www.eksmaoptics.com

Sapphire pl window, D=25.4 mm

Proprietary		Name	Date	Part number	Rev.	Scale
The information in this drawing is property of EKSMA Optics. Any reproduction in part or as a whole without the written permission of EKSMA Optics is prohibited.	Approved	A.K.	2021.02.01	550-7258	A	2:1
	Drawn	M.B.	2021.02.01			