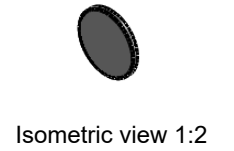
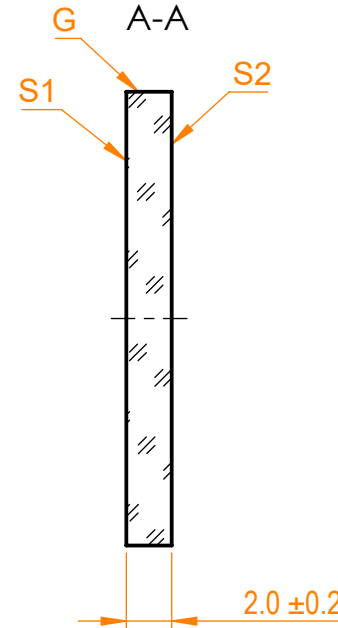
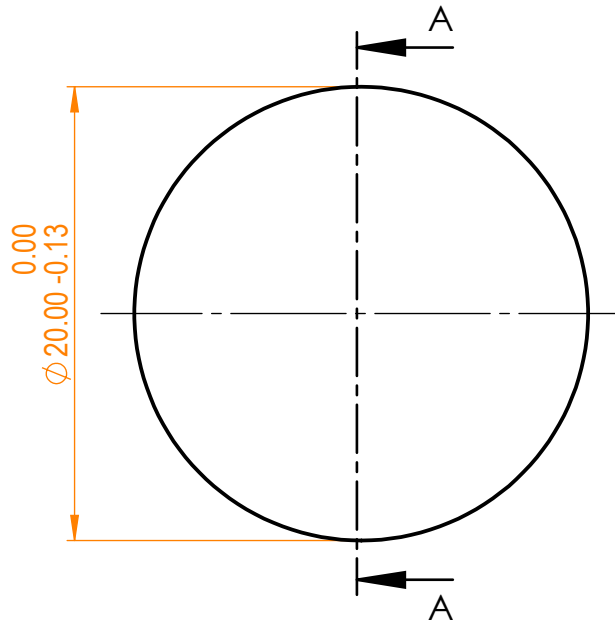


NOTES:

1. Material: sapphire, orientation c-cut [111];
2. G - Fine ground surface;
3. TWD: <math><1 \lambda @ 633 \text{ nm}</math>;
4. Parallelism: <math><3 \text{ arcmin}</math>;
5. All dimensions are in mm.



Specifications are subject to change without notice
 Dimensions are for reference only

| Parameters | | |
|---------------------|--------------------|--------------------|
| | S1 | S2 |
| Shape | Plano | Plano |
| Surface quality | 60-40 s/d | 60-40 s/d |
| Surface flatness | - | - |
| Protective chamfers | 0.2 - 0.3 mm x 45° | 0.2 - 0.3 mm x 45° |
| Clear aperture | ≥90% | ≥90% |
| Coating | - | - |



Sapphire pl window, D=20.0 mm

| Proprietary | Approved | Name | Date | Part number | Rev. | Scale |
|---|----------|------|------------|-------------|------|-------|
| The information in this drawing is property of EKSMA Optics. Any reproduction in part or as a whole without the written permission of EKSMA Optics is prohibited. | Approved | A.K. | 2021.02.01 | 550-7202 | A | 3:1 |
| | Drawn | M.B. | 2021.02.01 | | | |