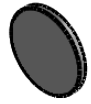
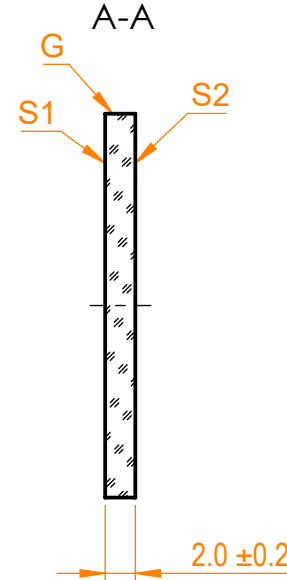
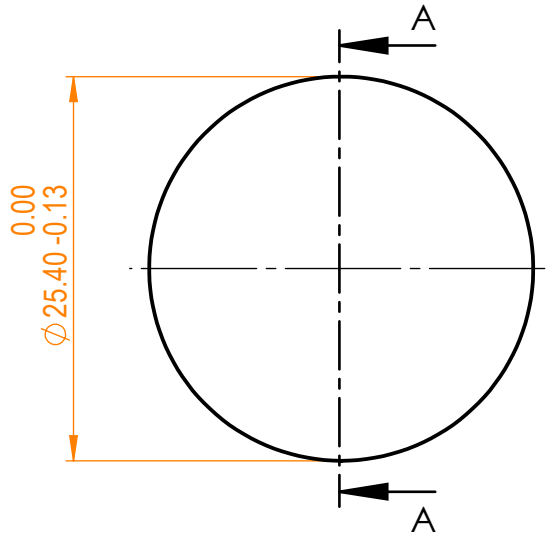


**NOTES:**

1. Material: single crystal CaF<sub>2</sub>, orientation [001];
2. G - Fine ground surface;
3. TWD:  $\lambda/4 @ 633 \text{ nm}$ ;
4. Parallelism:  $<1 \text{ arcmin}$ ;
5. All dimensions are in mm.



Isometric view 1:2



Specifications are subject to change without notice  
Dimensions are for reference only

Parameters		
	S1	S2
Shape	Plano	Plano
Surface quality	40-20 s/d	40-20 s/d
Surface flatness	-	-
Protective chamfers	0.2 - 0.3 mm x 45°	0.2 - 0.3 mm x 45°
Clear aperture	≥90%	≥90%
Coating	-	-



CaF<sub>2</sub> pl window, D=25.4 mm

Proprietary	Name	Date	Part number	Rev.	Scale
The information in this drawing is property of EKSMA Optics. Any reproduction in part or as a whole without the written permission of EKSMA Optics is prohibited.	Approved	A.K.	2021.02.01	531-5252	A
	Drawn	M.B.	2021.02.01		