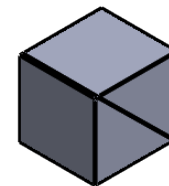
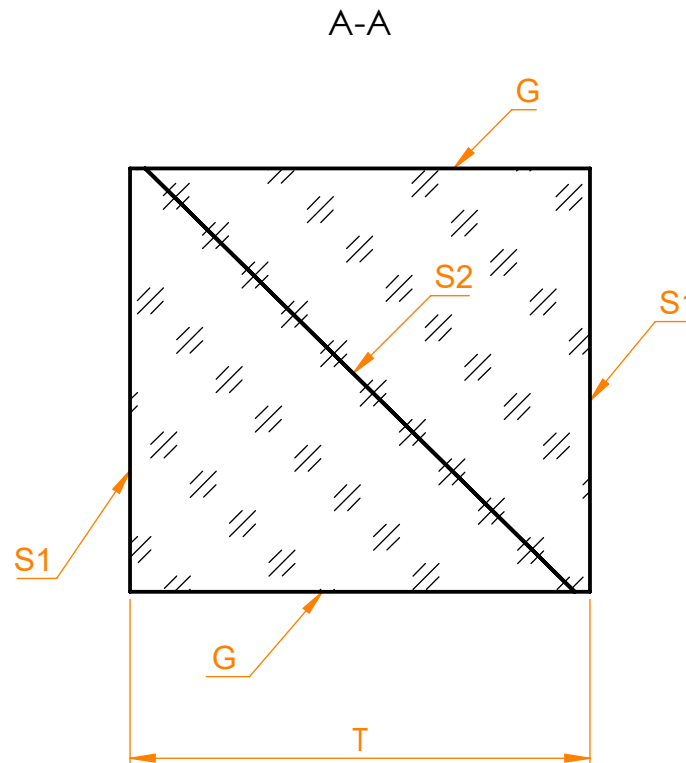
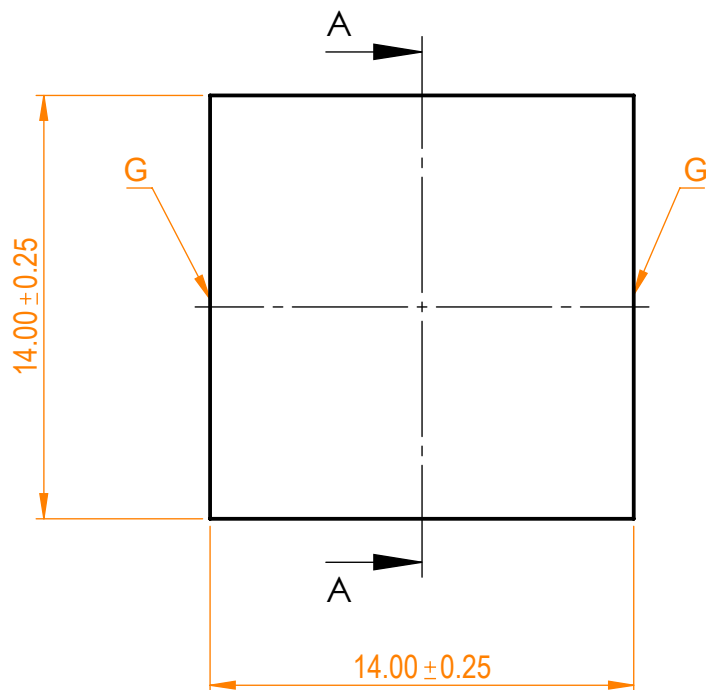


NOTES:


1. Material: Natural calcite;
2. G - Fine ground surface;
3. All dimensions are in mm;
4. Protective chamfers: 0.3 mm x 45°;
5. Beam separation angle: 20° @633nm;
6. Extinction ratio: 1:100000;



Isometric view 1:1



Specifications are subject to change without notice
 Dimensions are for reference only

Parameters						Wollaston prism, H=L=14 mm				
	S1	S2								
Shape	Plano	Plano								
Surface flatness	$\lambda/4$ @633nm	$\lambda/4$ @633nm								
Surface quality	40-20 s/d	40-20 s/d								
Clear aperture	>90%	>90%								
Coating	-	-								
				Proprietary		Name	Date	Part number	Rev.	Scale
				The information in this drawing is property of EKSMA Optics. Any reproduction in part or as a whole without the written permission of EKSMA Optics is prohibited.	Approved	A.K.	2021.04.29	450-2142	A	4:1
					Drawn	V.S.	2021.04.29			