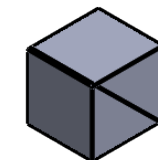
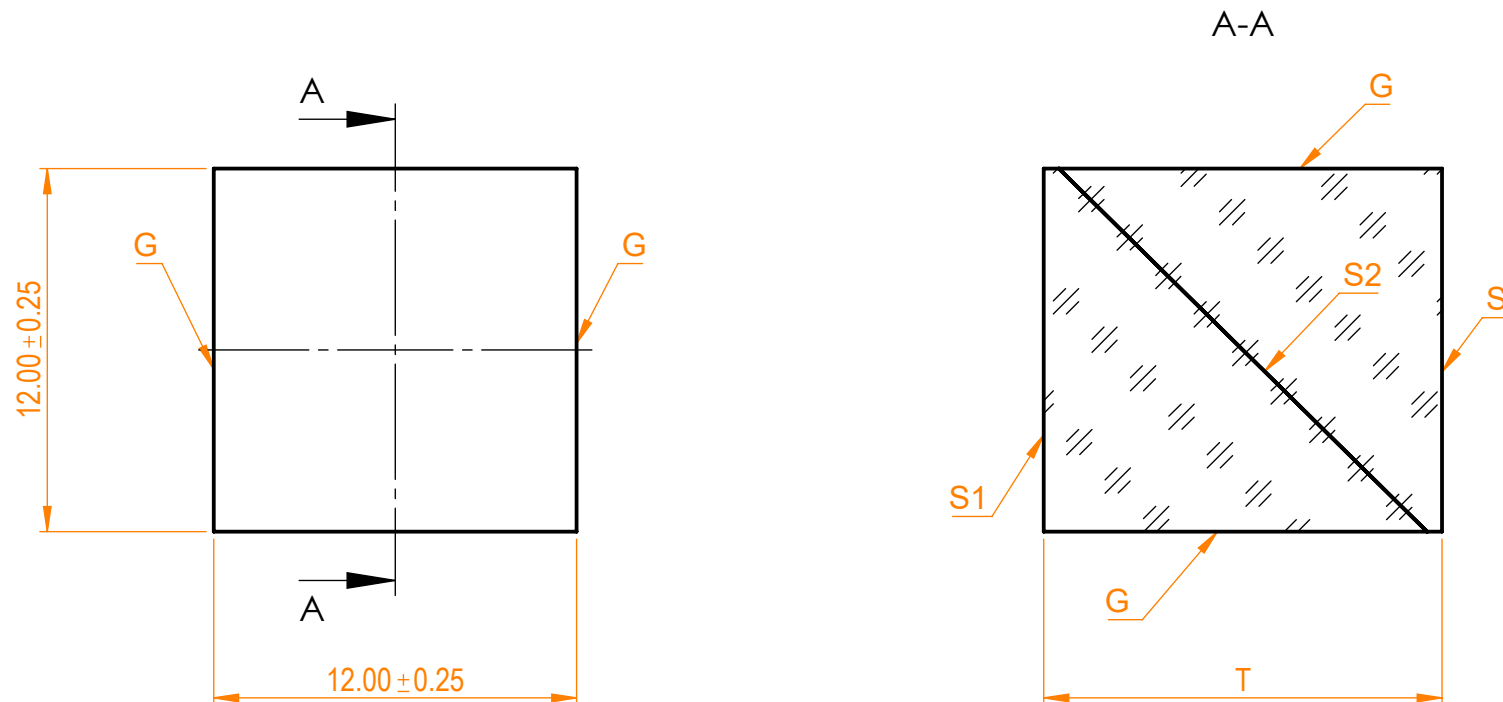


NOTES:


1. Material: Natural calcite;
2. G - Fine ground surface;
3. All dimensions are in mm;
4. Protective chamfers: 0.3 mm x 45°;
5. Beam separation angle: 20° @633nm;
6. Extinction ratio: 1:100000;



Isometric view 1:1



Specifications are subject to change without notice  
 Dimensions are for reference only

Parameters			 info@eksmaoptics.com www.eksmaoptics.com		Wollaston prism, H=L=12 mm				
	S1	S2			Proprietary	Name	Date	Part number	Rev.
Shape	Plano	Plano							
Surface flatness	$\lambda/4$ @633nm	$\lambda/4$ @633nm							
Surface quality	40-20 s/d	40-20 s/d							
Clear aperture	>90%	>90%							
Coating	-	-							
			Approved	A.K.	2021.04.29	450-2122	A	4:1	
			Drawn	V.S.	2021.04.29				