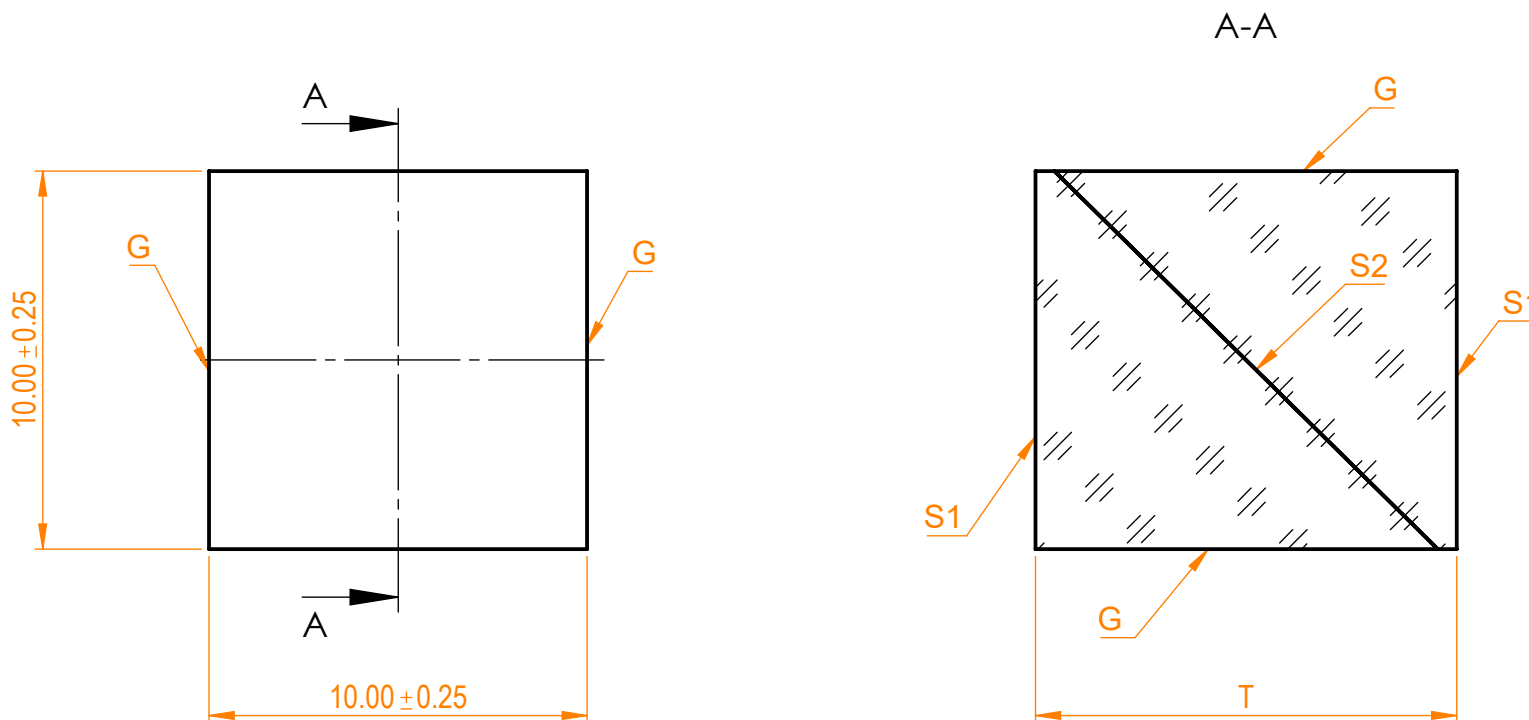


NOTES:


- 1. Material: Natural calcite;
- 2. G - Fine ground surface;
- 3. All dimensions are in mm;
- 4. Protective chamfers: 0.3 mm x 45°;
- 5. Beam separation angle: 20° @633nm;
- 6. Extinction ratio: 1:100000;



Isometric view 1:1



Specifications are subject to change without notice
 Dimensions are for reference only

Parameters			 info@eksmaoptics.com www.eksmaoptics.com		Wollaston prism, H=L=10 mm				
	S1	S2			Proprietary	Name	Date	Part number	Rev.
Shape	Plano	Plano	The information in this drawing is property of EKSMA Optics. Any reproduction in part or as a whole without the written permission of EKSMA Optics is prohibited.	Approved	A.K.	2021.04.29	450-2102	A	5:1
Surface flatness	$\lambda/4$ @633nm	$\lambda/4$ @633nm			Drawn	V.S.			
Surface quality	40-20 s/d	40-20 s/d							
Clear aperture	>90%	>90%							
Coating	-	-							