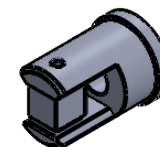
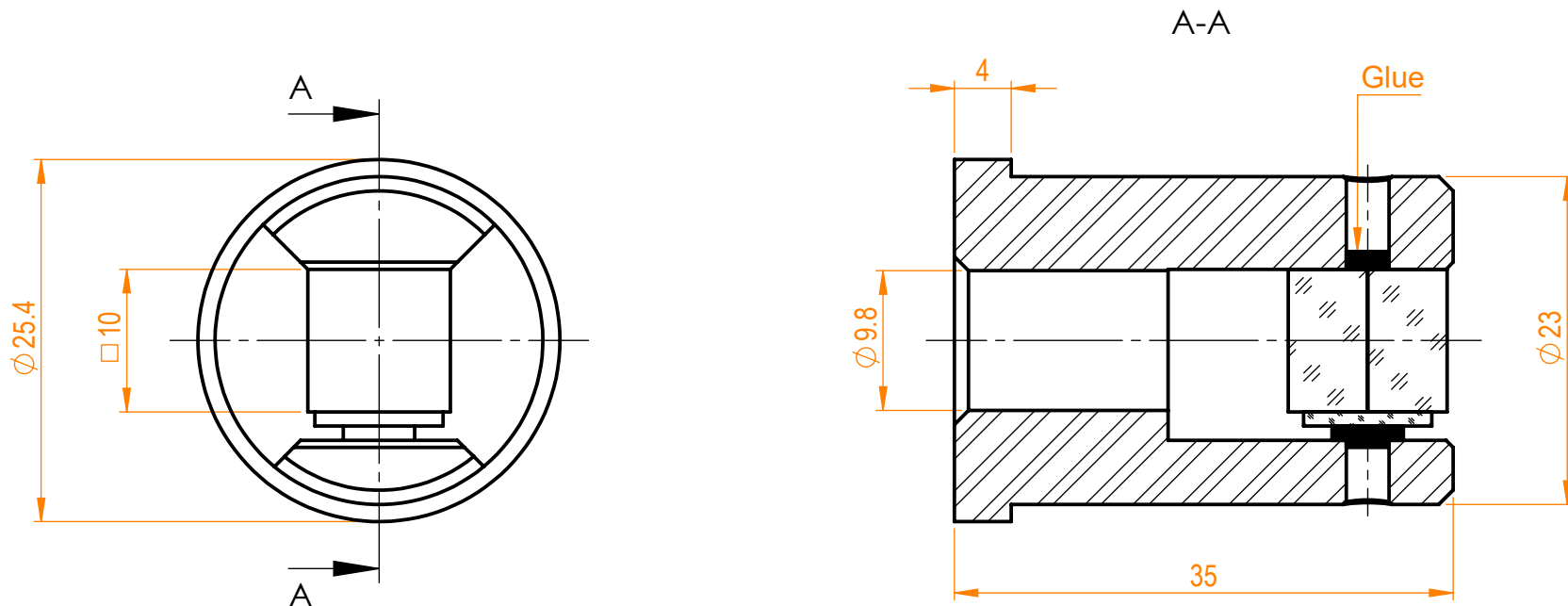


NOTES:

1. Material: Natural calcite (prism),
Black anodized aluminium (housing);
2. G - Fine ground surface;
3. All dimensions are in mm;
4. Protective chamfers: 0.5 mm x 45°;
5. Beam separation angle: 20° @633nm;
6. Extinction ratio: 1:100000;




Isometric view 1:2



Specifications are subject to change without notice
Dimensions are for reference only

	Parameters	
	S1	S2
Shape	Plano	Plano
Surface flatness	$\lambda/4$ @633nm	$\lambda/4$ @633nm
Surface quality	40-20 s/d	40-20 s/d
Clear aperture	>90%	>90%
Coating	-	-



info@eksmaoptics.com
www.eksmaoptics.com

Wollaston prism, H=L=10 mm

Proprietary	Name	Date	Part number	Rev.	Scale
The information in this drawing is property of EKSMA Optics. Any reproduction in part or as a whole without the written permission of EKSMA Optics is prohibited.	Approved	A.K.	2021.04.29	A	2:1
	Drawn	V.S.	2021.04.29		