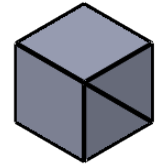
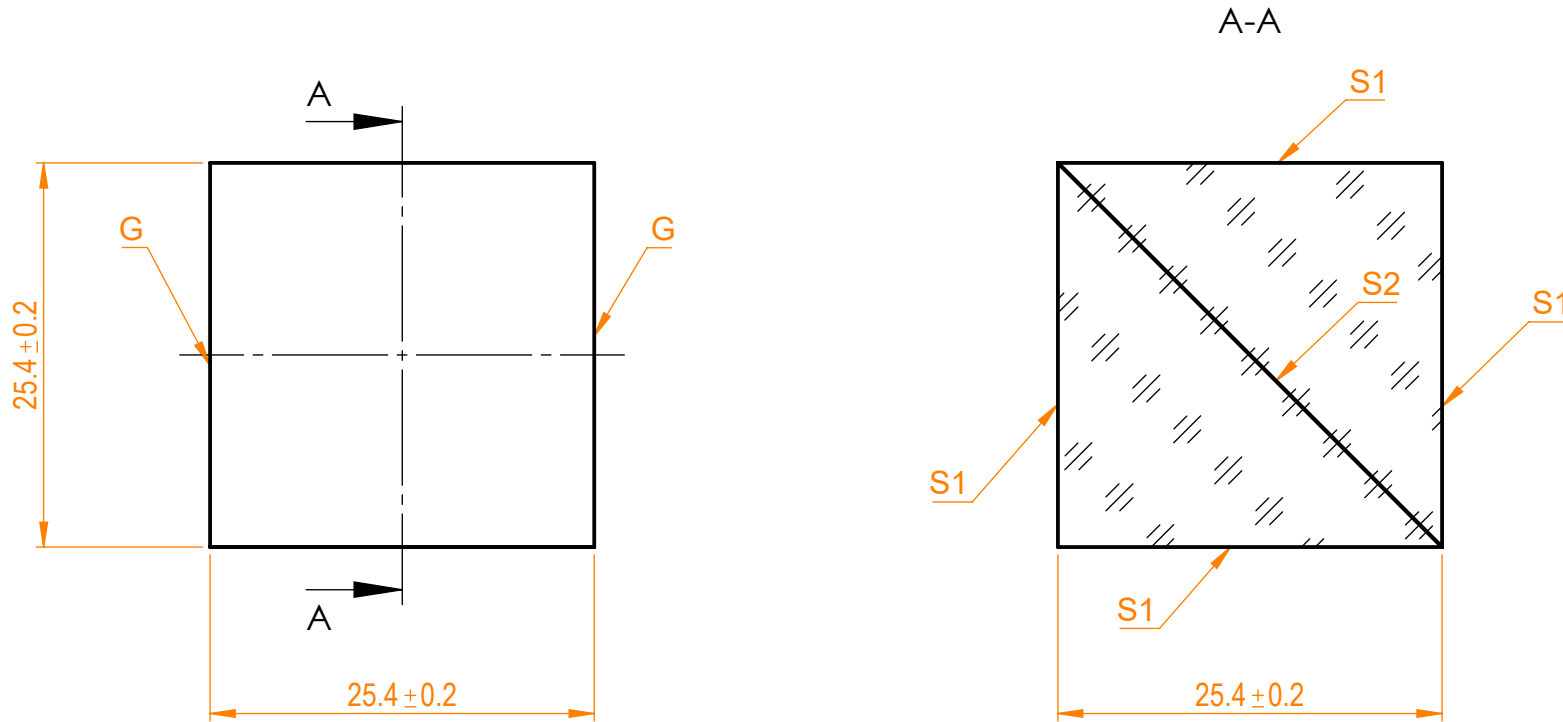


NOTES:


1. Material: N-SF2;
2. G - Fine ground surface;
3. All dimensions are in mm;
4. Protective chamfers: 0.3 mm x 45°;
5. Beam deviation: <3 arcmin;
6. Typical damage threshold: >15 J/cm² at @1064nm;



Isometric view 1:2



Specifications are subject to change without notice
Dimensions are for reference only

Parameters			 HEPC beamsplitter, H=L=T=25.4 mm						
	All sides	Hypotenuse			Name	Date	Part number	Rev.	Scale
Shape	Plano	Plano	Proprietary		A.K.	2021.04.22	435-1223	A	2:1
Surface flatness	$\lambda/10$ @633nm	$\lambda/10$ @633nm	The information in this drawing is property of EKSMA Optics. Any reproduction in part or as a whole without the written permission of EKSMA Optics is prohibited.		V.S.	2021.04.22			
Surface quality	20-10 s/d	20-10 s/d	Approved						
Clear aperture	>85%	>85%	Drawn						
Coating	AR<0.25% @1064nm	R _s /T _p >99.5/97% @1064nm							