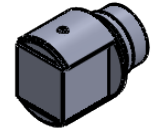
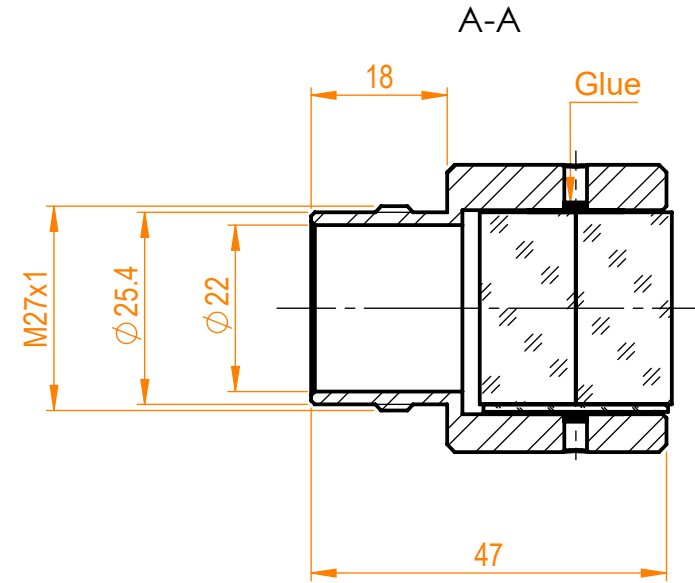
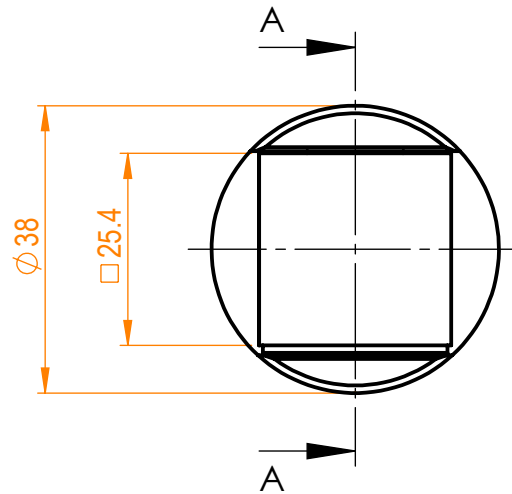


NOTES:

1. Material: N-SF2 (beamsplitter),  
Black anodized aluminium (housing);
2. All dimensions are in mm;
3. Protective chamfers: 0.3 mm x 45°;
4. Beam deviation: <3 arcmin;
5. Typical damage threshold: >15 J/cm<sup>2</sup> at @1064nm;



Isometric view 1:3



Specifications are subject to change without notice  
Dimensions are for reference only

Parameters

	All sides	Hypotenuse
Shape	Plano	Plano
Surface flatness	$\lambda/10$ @633nm	$\lambda/10$ @633nm
Surface quality	20-10 s/d	20-10 s/d
Clear aperture	>85%	>85%
Coating	AR<0.25% @1064nm	R <sub>s</sub> /T <sub>p</sub> >99.5/97% @1064nm



HEPC beamsplitter, H=L=T=25.4 mm

Proprietary	Name	Date	Part number	Rev.	Scale
The information in this drawing is property of EKSMA Optics. Any reproduction in part or as a whole without the written permission of EKSMA Optics is prohibited.	Approved	A.K.	2021.04.22	435-1223-M2P	A
	Drawn	V.S.	2021.04.22		