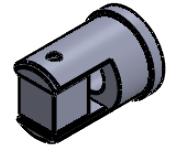
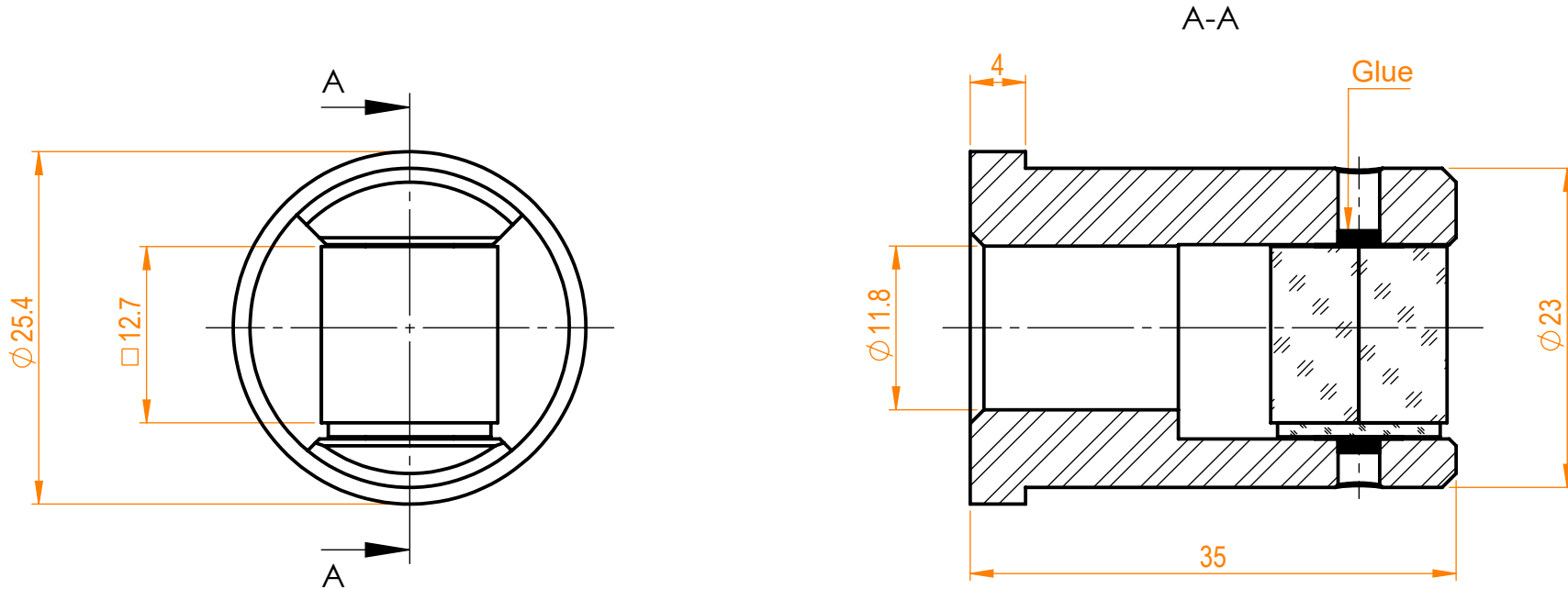


NOTES:


1. Material: UVFS (beamsplitter),
Black anodized aluminium (housing);
2. All dimensions are in mm;
3. Protective chamfers: 0.3 mm x 45°;
4. Beam deviation: <3 arcmin;
5. Typical damage threshold: >6 J/cm² at @532nm;



Isometric view 1:2



Specifications are subject to change without notice
Dimensions are for reference only

Parameters			 info@eksmaoptics.com www.eksmaoptics.com		HEPC beamsplitter, H=L=T=12.7 mm				
	All sides	Hypotenuse			Name	Date	Part number	Rev.	Scale
Shape	Plano	Plano	Proprietary		A.K.	2021.04.22	435-1121-M2Ps	A	2:1
Surface flatness	$\lambda/10$ @633nm	$\lambda/10$ @633nm	The information in this drawing is property of EKSMA Optics. Any reproduction in part or as a whole without the written permission of EKSMA Optics is prohibited.		V.S.	2021.04.22			
Surface quality	20-10 s/d	20-10 s/d	Approved						
Clear aperture	>85%	>85%	Drawn						
Coating	AR<0.25% @532nm	R _s /T _p >99.5/97% @532nm							