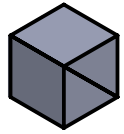
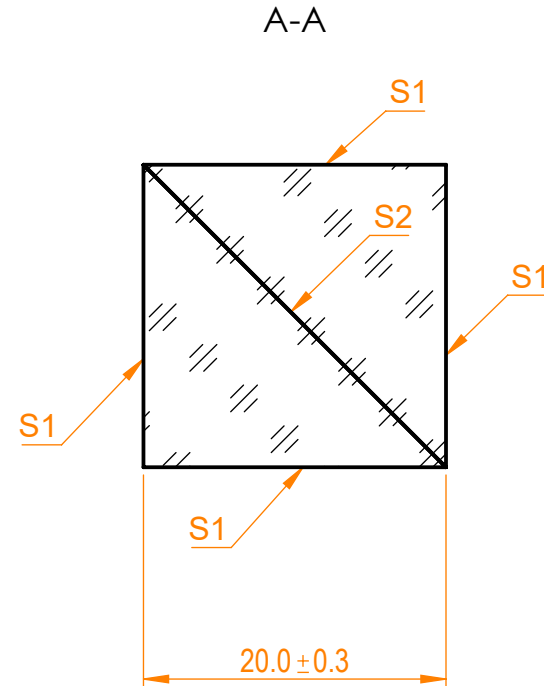
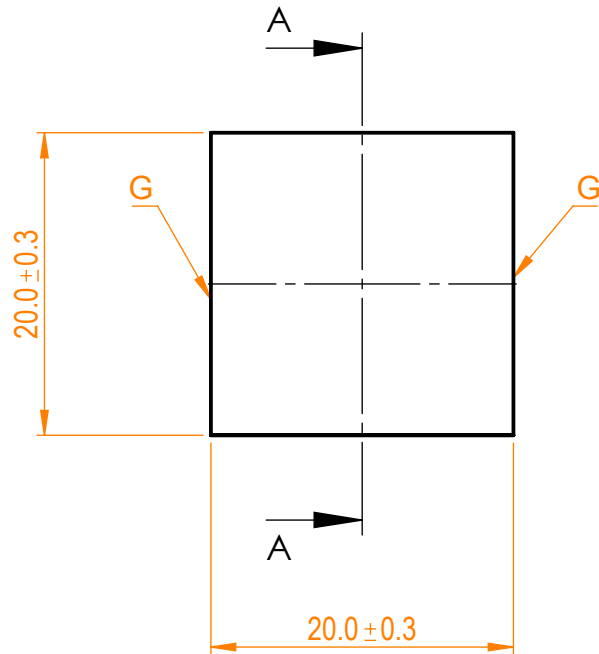


**NOTES:**


1. Material: UVFS;
2. G - Fine ground surface;
3. All dimensions are in mm;
4. Protective chamfers: 0.3 mm x 45°;
5. Beam deviation: <3 arcmin;
6. Laser damage threshold: >0.3 J/cm<sup>2</sup> at @1064nm, 10ns pulses;



Isometric view 1:2



Specifications are subject to change without notice  
 Dimensions are for reference only

Parameters						CP beamsplitter, H=L=T=20 mm				
	S1	S2								
Shape	Plano	Plano								
Surface flatness	λ/4 @633nm	λ/4 @633nm								
Surface quality	40-20 s/d	40-20 s/d								
Clear aperture	>90%	>90%								
Coating	AR<0.3% @355nm	Rs/Tp>99/90% @355nm								
				Proprietary info@eksmaoptics.com www.eksmaoptics.com		Name Date		Part number Rev.		Scale
				Approved Drawn		A.K. V.S.		430-1207 A		2:1
				The information in this drawing is property of EKSMA Optics. Any reproduction in part or as a whole without the written permission of EKSMA Optics is prohibited.		2021.04.27 2021.04.27		430-1207 A		2:1