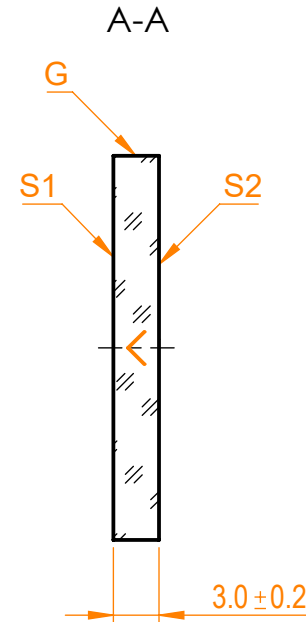
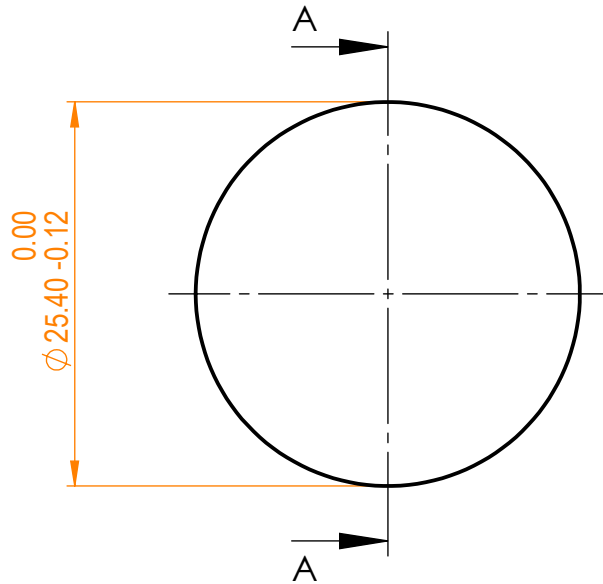


**NOTES:**


1. Material: UVFS;
2. G - Fine ground surface;
3. All dimensions are in mm;
4. Protective chamfers: 0.3 mm x 45°;
5. Parallelism: <30 arcsec;
6. Angle of incidence: 56°/ Angle of incidence tolerance: ±2°;
7. Transmitted wavefront distortion: λ/10 @633nm;
8. Extinction ratio: T<sub>p</sub>:T<sub>s</sub>> 200:1;
9. Laser Induced Damage Threshold: >8 J/cm<sup>2</sup> @800nm, 50Hz, 10nsec pulses;



Isometric view 1:2



Specifications are subject to change without notice  
Dimensions are for reference only

| Parameters      |                                                 |                             | <br>info@eksmaoptics.com<br>www.eksmaoptics.com                              | TF polarizer, D=25.4 mm, T=3 mm |            |      |             |      |       |
|-----------------|-------------------------------------------------|-----------------------------|-------------------------------------------------------------------------------------------------------------------------------------------------------------------|---------------------------------|------------|------|-------------|------|-------|
|                 | S1                                              | S2                          |                                                                                                                                                                   | Proprietary                     | Name       | Date | Part number | Rev. | Scale |
| Shape           | Plano                                           | Plano                       |                                                                                                                                                                   |                                 |            |      |             |      |       |
| Surface quality | 20-10 s/d                                       | 20-10 s/d                   | Drawn                                                                                                                                                             | V.S.                            | 2021.01.11 |      |             |      |       |
| Clear aperture  | >90%                                            | >90%                        | The information in this drawing is property of EKSMA Optics. Any reproduction in part or as a whole without the written permission of EKSMA Optics is prohibited. |                                 |            |      |             |      |       |
| Coating         | R <sub>s</sub> /T <sub>p</sub> >99.5/95% @800nm | R <sub>p</sub> <0.3% @800nm |                                                                                                                                                                   |                                 |            |      |             |      |       |