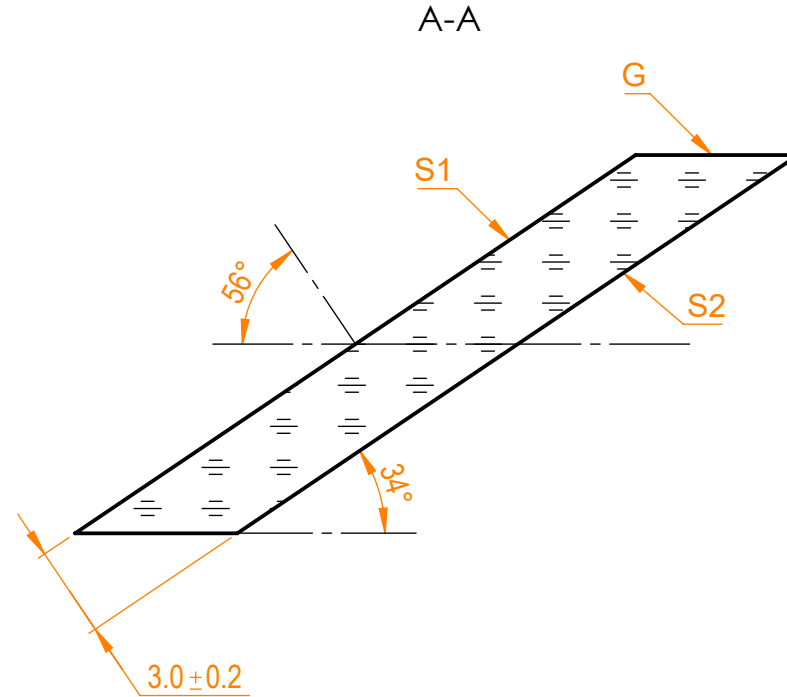
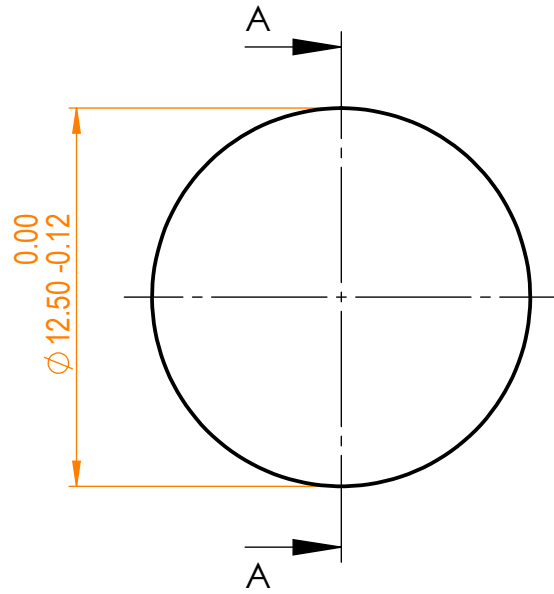
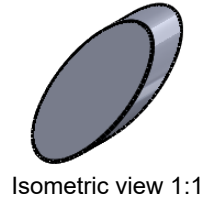



NOTES:

1. Material: N-BK7;
2. G - Fine ground surface;
3. All dimensions are in mm;
4. Protective chamfers: 0.3 mm x 45°;
5. Parallelism: <10 arcsec;
6. Transmission: 100% of p-polarization @1064nm;
7. Reflection: 26% of s-polarization @1064nm.



Specifications are subject to change without notice  
 Dimensions are for reference only

Parameters				 info@eksmaoptics.com www.eksmaoptics.com		Brewster window, D=12.5 mm, T=3 mm				
	S1	S2								
Shape	Plano	Plano		Proprietary		Name	Date	Part number	Rev.	Scale
Surface flatness	$\lambda/10$ @633nm	$\lambda/10$ @633nm		The information in this drawing is property of EKSMA Optics. Any reproduction in part or as a whole without the written permission of EKSMA Optics is prohibited.	Approved	A.K.	2020.12.10	410-0123	A	4:1
Surface quality	20-10 s/d	20-10 s/d			Drawn	V.S.	2020.12.10			
Clear aperture	>90%	>90%								
Coating	-	-								