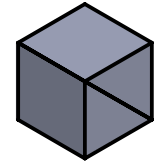
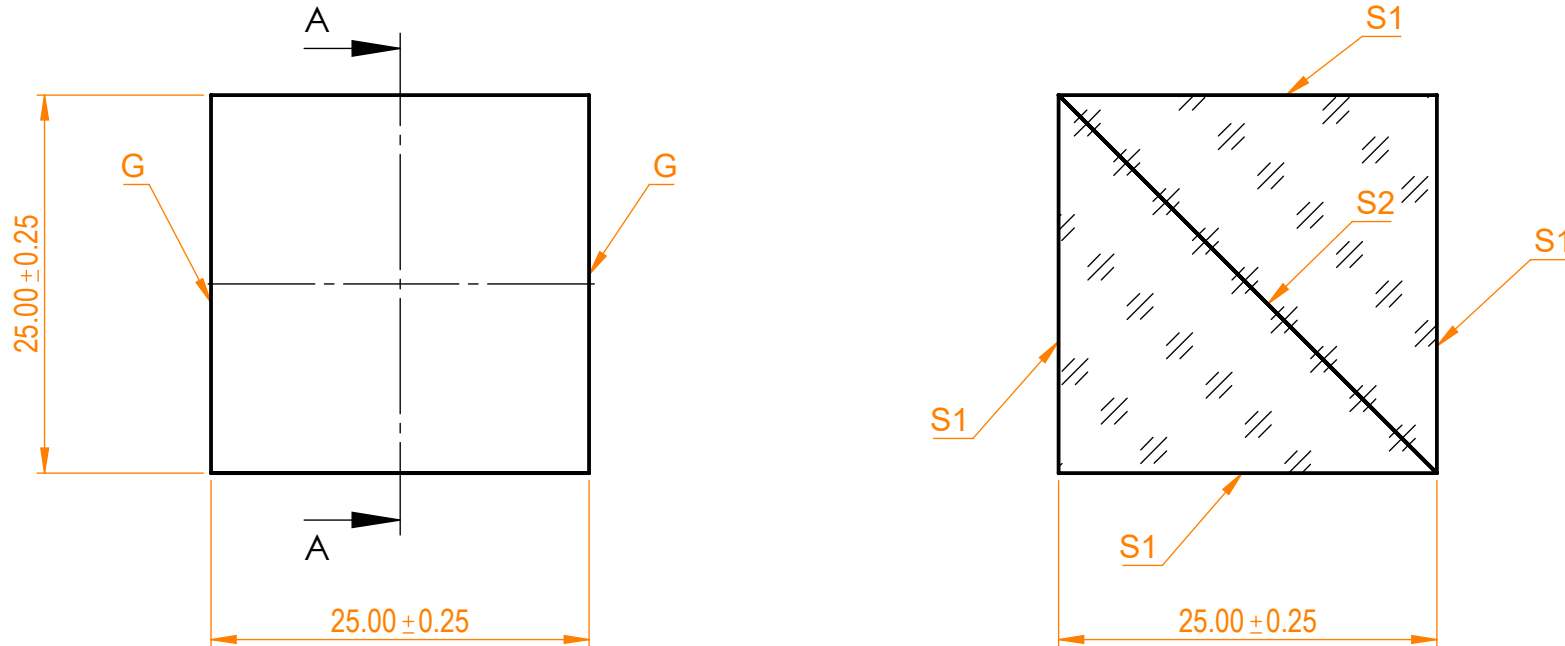


NOTES:

1. Material: N-BK7;
2. G - Fine ground surface;
3. All dimensions are in mm;
4. Protective chamfers: 0.3 mm x 45°;
5. Beam deviation: <5 arcmin;
6. Absorption: <10%;
7. Reflection/Transmission ratio: 50/50±5% at @750-1100nm;
8. Typical damage threshold: >0.1 J/cm² at @1064nm, 10Hz;



Isometric view 1:2



Specifications are subject to change without notice
 Dimensions are for reference only

Parameters		
	S1	S2
Shape	Plano	Plano
Surface flatness	λ/4 @633nm	λ/4 @633nm
Surface quality	40-20 s/d	40-20 s/d
Clear aperture	>80%	>80%
Coating	AR<1% @750-1100nm	T _{p,s} = 45±5% @750-1100nm



NPBC beamsplitter, H=L=T=25 mm

Proprietary	Approved	Name	Date	Part number	Rev.	Scale
The information in this drawing is property of EKSMA Optics. Any reproduction in part or as a whole without the written permission of EKSMA Optics is prohibited.	Approved	A.K.	2020.12.14	351-0258	A	2:1
	Drawn	V.S.	2020.12.14			