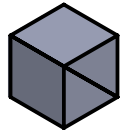
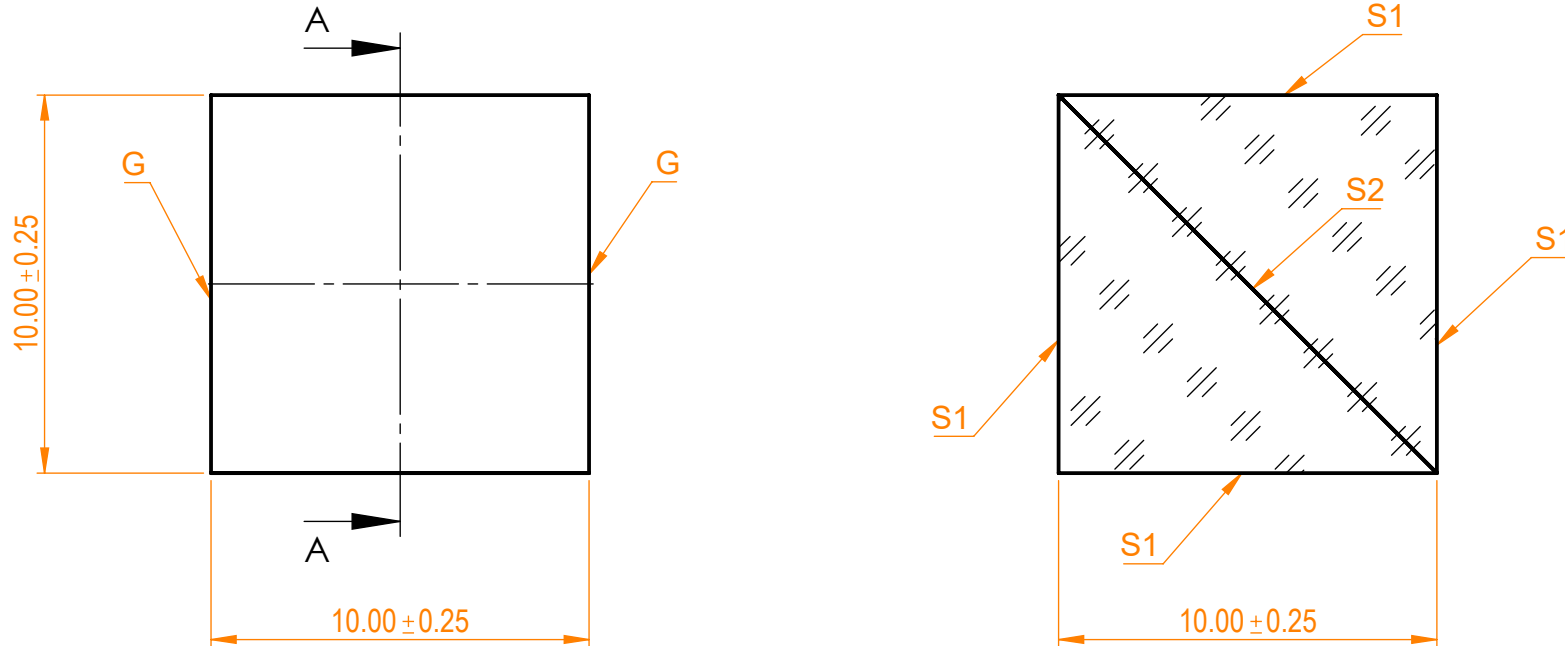


NOTES:

1. Material: N-BK7;
2. G - Fine ground surface;
3. All dimensions are in mm;
4. Protective chamfers: 0.3 mm x 45°;
5. Beam deviation: <5 arcmin;
6. Absorption: <10%;
7. Reflection/Transmission ratio: 50/50±5% at @750-1100nm;
8. Typical damage threshold: >0.1 J/cm² at @1064nm, 10Hz;



Isometric view 1:1



Specifications are subject to change without notice
 Dimensions are for reference only

| Parameters | | |
|------------------|--------------------|------------------------------------|
| | S1 | S2 |
| Shape | Plano | Plano |
| Surface flatness | $\lambda/4$ @633nm | $\lambda/4$ @633nm |
| Surface quality | 40-20 s/d | 40-20 s/d |
| Clear aperture | >80% | >80% |
| Coating | AR<1% @750-1100nm | $T_{p,s} = 45 \pm 5\%$ @750-1100nm |



NPBC beamsplitter, H=L=T=10 mm

| Proprietary | Approved | Name | Date | Part number | Rev. | Scale |
|---|----------|------|------------|-------------|------|-------|
| The information in this drawing is property of EKSMA Optics. Any reproduction in part or as a whole without the written permission of EKSMA Optics is prohibited. | Approved | A.K. | 2020.12.14 | 351-0108 | A | 5:1 |
| | Drawn | V.S. | 2020.12.14 | | | |