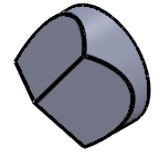
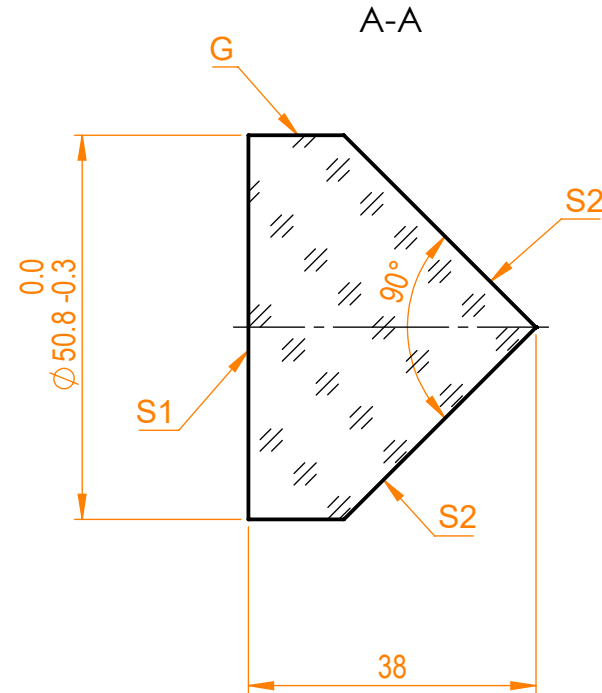
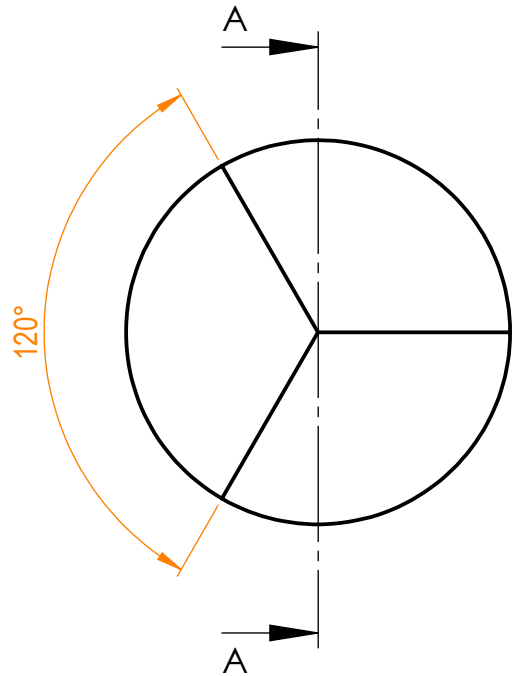


NOTES:


1. Material: N-BK7;
2. G - Fine ground surface;
3. All dimensions are in mm;
4. Protective chamfers: 0.3 mm x 45°;
5. Angle tolerances: ±5 arcsec;
6. Beam deviation: 180° ±30 sec;



Isometric view 1:3



Specifications are subject to change without notice
Dimensions are for reference only

Parameters				 info@eksmaoptics.com www.eksmaoptics.com		CC prism, D=50.8 mm, H=38 mm			
	S1	S2							
Shape	Plano	Plano							
Surface flatness	$\lambda/4$ @633nm	$\lambda/4$ @633nm							
Surface quality	40-20 s/d	40-20 s/d							
Clear aperture	>80%	>80%							
Coating	Uncoated	Uncoated							
			Proprietary		Name	Date	Part number	Rev.	Scale
			The information in this drawing is property of EKSMA Optics. Any reproduction in part or as a whole without the written permission of EKSMA Optics is prohibited.	Approved	A.K.	2020.12.14	340-0538	A	1:1
				Drawn	V.S.	2020.12.14			