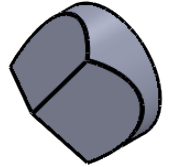
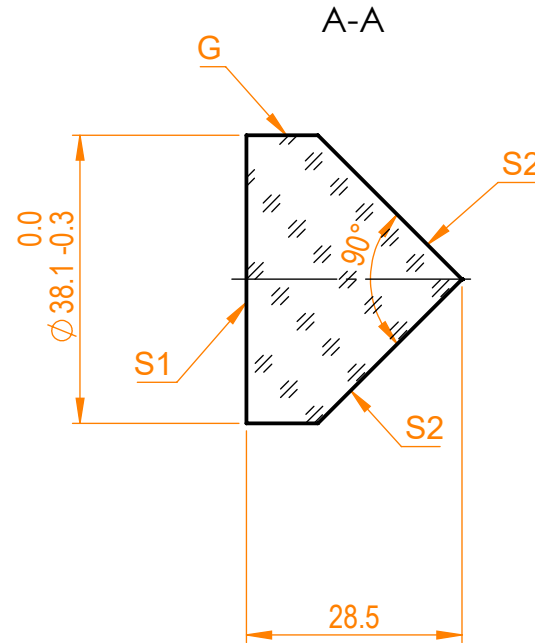
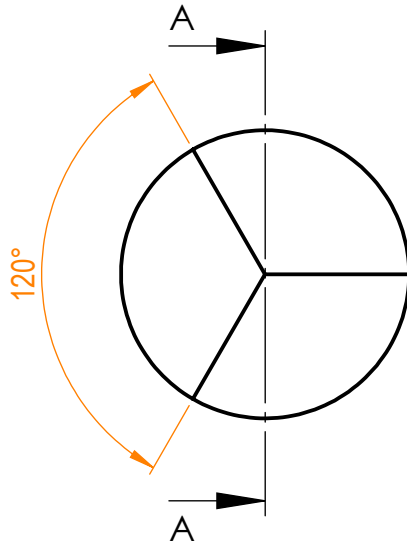


NOTES:

1. Material: N-BK7;
2. G - Fine ground surface;
3. All dimensions are in mm;
4. Protective chamfers: 0.3 mm x 45°;
5. Angle tolerances: ±5 arcsec;
6. Beam deviation: 180° ±30 sec;




Isometric view 1:2



Specifications are subject to change without notice
 Dimensions are for reference only

Parameters		
	S1	S2
Shape	Plano	Plano
Surface flatness	$\lambda/4$ @633nm	$\lambda/4$ @633nm
Surface quality	40-20 s/d	40-20 s/d
Clear aperture	>80%	>80%
Coating	Uncoated	Uncoated



info@eksmaoptics.com
www.eksmaoptics.com

CC prism, D=38.1 mm, H=28.5 mm

Proprietary	Name	Date	Part number	Rev.	Scale
The information in this drawing is property of EKSMA Optics. Any reproduction in part or as a whole without the written permission of EKSMA Optics is prohibited.	Approved	A.K.	2020.12.14	340-0329	A
	Drawn	V.S.	2020.12.14		