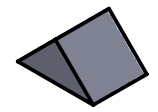
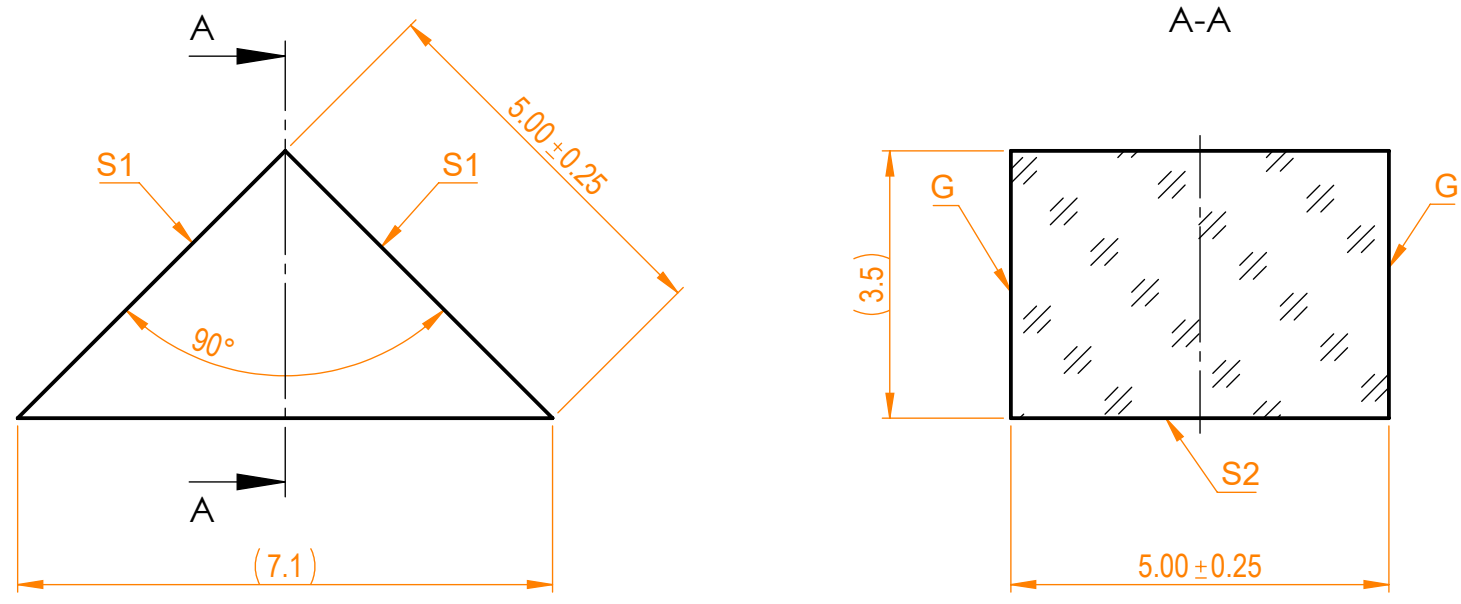


NOTES:


1. Material: N-BK7;
2. G - Fine ground surface;
3. All dimensions are in mm;
4. Protective chamfers: 0.3 mm x 45°;
5. Apex angle tolerance: ± 2 arcmin;
6. Pyramid tolerance: ± 1 arcmin;



Isometric view 2:1



Specifications are subject to change without notice
 Dimensions are for reference only

Parameters				 info@eksmaoptics.com www.eksmaoptics.com		RA prism, L=5 mm, T=5 mm			
	S1	S2							
Shape	Plano	Plano							
Surface flatness	$\lambda/4$ @633nm	$\lambda/4$ @633nm							
Surface quality	40-20 s/d	40-20 s/d							
Clear aperture	>80%	>80%							
Coating	-	-							
			Proprietary Approved Drawn		Name A.K. V.S.	Date 2020.12.14 2020.12.14	Part number 330-0052	Rev. A	Scale 10:1