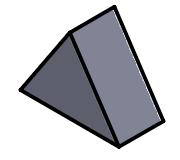
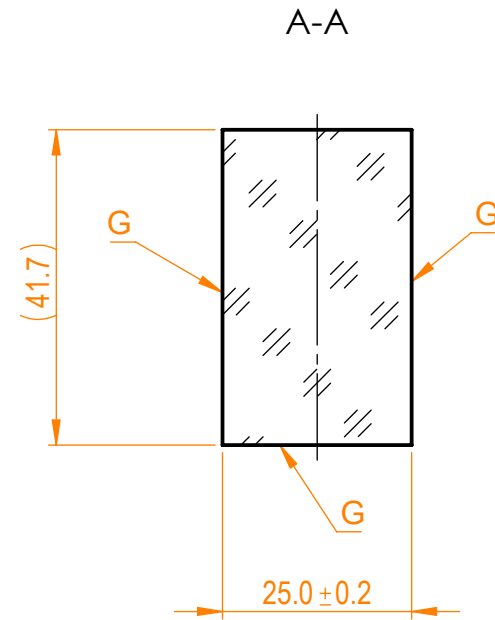
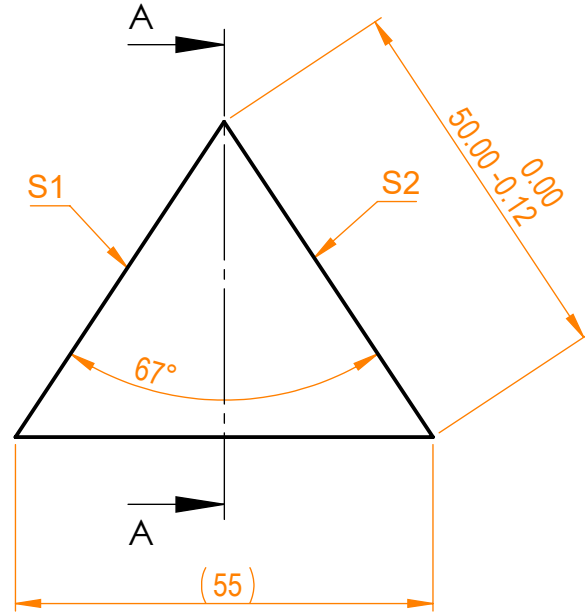


**NOTES:**


1. Material: N-BK7;
2. G - Fine ground surface;
3. All dimensions are in mm;
4. Protective chamfers: 0.3 mm x 45°;
5. Apex angle tolerance:  $\pm 2$  arcmin;



Isometric view 1:3



Specifications are subject to change without notice  
Dimensions are for reference only

		Parameters		 info@eksmaoptics.com www.eksmaoptics.com		LD prism, L=50 mm, T=25 mm				
		S1	S2			Proprietary	Name	Date	Part number	Rev.
	Shape	Plano	Plano	The information in this drawing is property of EKSMA Optics. Any reproduction in part or as a whole without the written permission of EKSMA Optics is prohibited.	Approved	A.K.	2020.12.14	320-0525	A	1:1
	Surface flatness	$\lambda/4$ @633nm	$\lambda/4$ @633nm			Drawn	V.S.			
	Surface quality	40-20 s/d	40-20 s/d							
	Clear aperture	>90%	>90%							
	Coating	-	-							