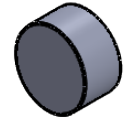
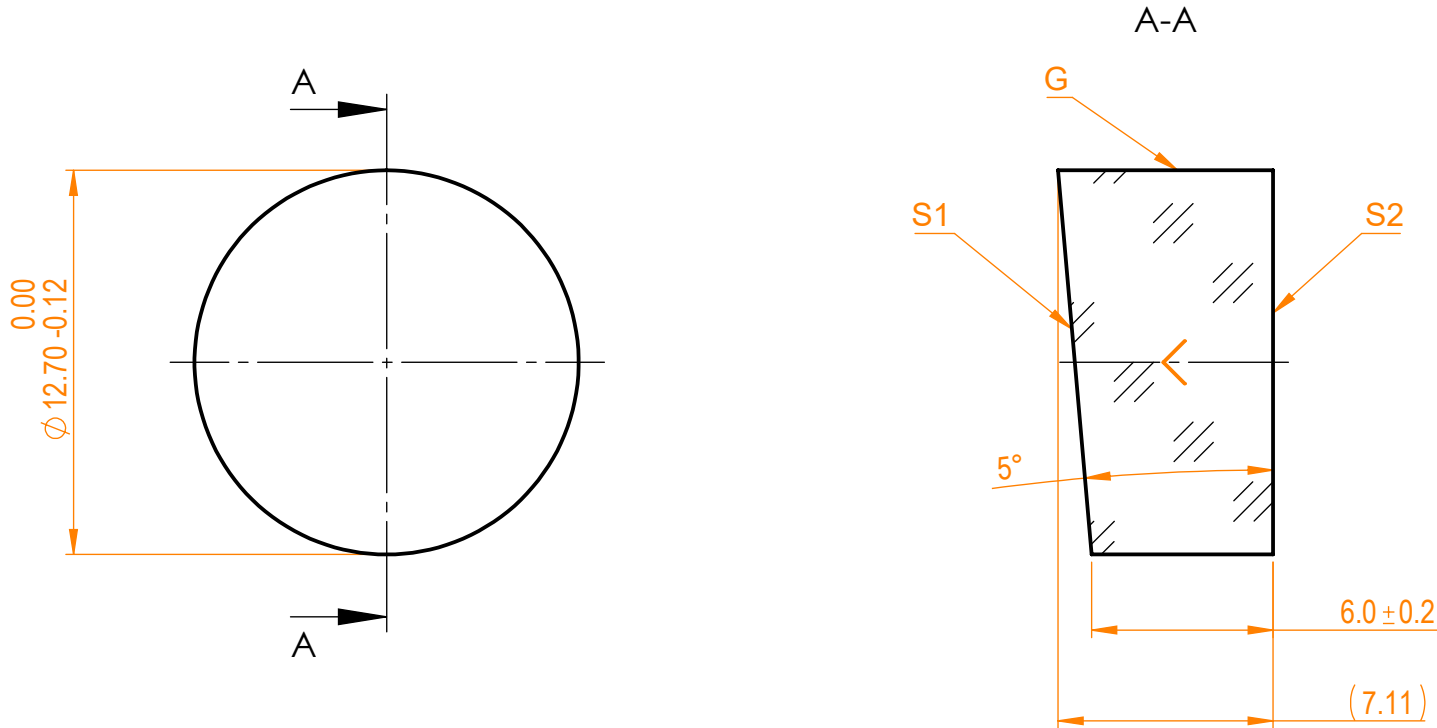


NOTES:

1. Material: UVFS;
2. G - Fine ground surface;
3. All dimensions are in mm;
4. Wedge tolerance:  $\pm 3$  arcmin;
5. Protective chamfers: 0.3 mm x 45°;
6. Beam deviation: 2.26° at @1064nm, 2.31° at @532nm, 2.39° at @355nm;



Isometric view 1:1



Specifications are subject to change without notice  
 Dimensions are for reference only

| Parameters       |                     |                     |
|------------------|---------------------|---------------------|
|                  | S1                  | S2                  |
| Shape            | Plano               | Plano               |
| Wedge            | 5°                  | 0                   |
| Surface flatness | $\lambda/10$ @633nm | $\lambda/10$ @633nm |
| Surface quality  | 20-10 s/d           | 20-10 s/d           |
| Clear aperture   | >90%                | >90%                |
| Coating          | -                   | -                   |



PW prism, D=12.7 mm, T=6 mm

| Proprietary   | Name     | Date | Part number | Rev.      | Scale |
|---|----------|------|-------------|-----------|-------|
| The information in this drawing is property of EKSMA Optics. Any reproduction in part or as a whole without the written permission of EKSMA Optics is prohibited. | Approved | A.K. | 2020.12.14  | 311-1105E | A     |
|   | Drawn    | V.S. | 2020.12.14  |           |       |