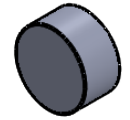
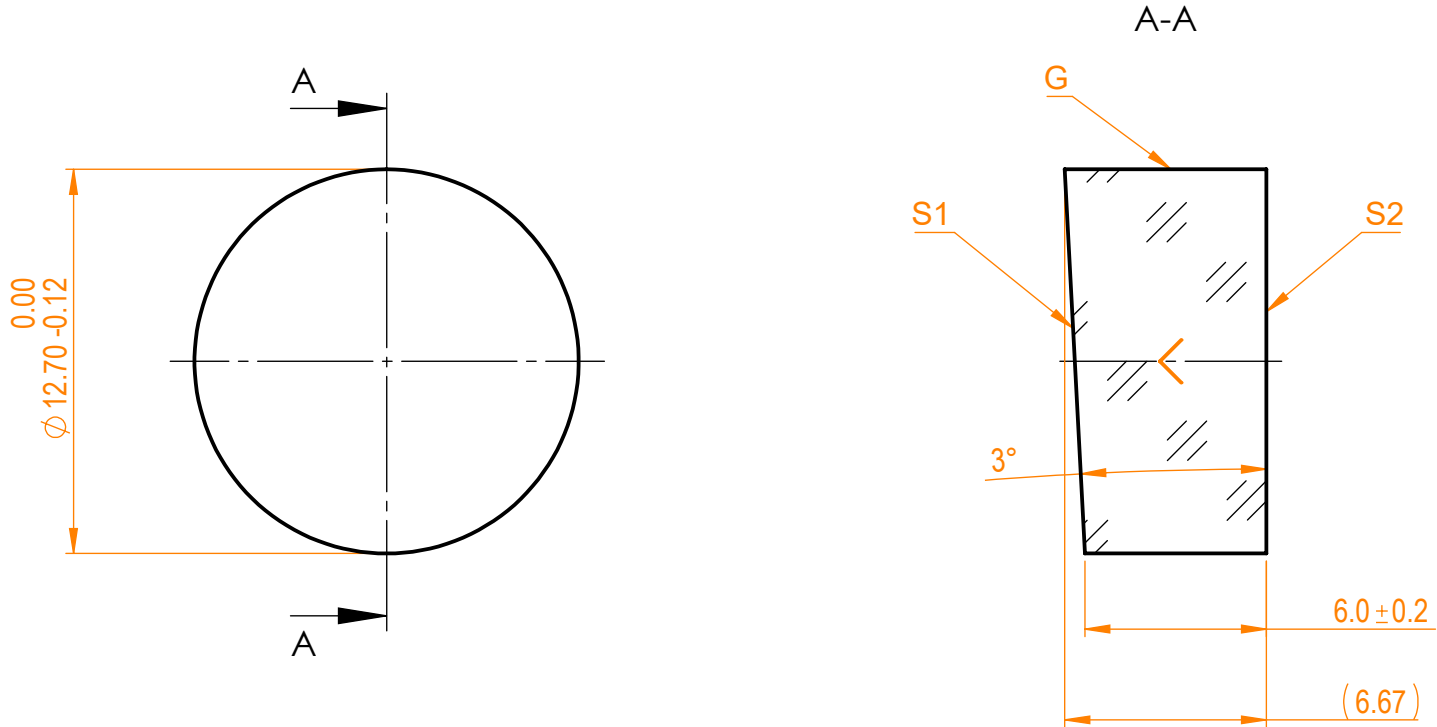


NOTES:

1. Material: N-BK7;
2. G - Fine ground surface;
3. All dimensions are in mm;
4. Wedge tolerance:  $\pm 3$  arcmin;
5. Protective chamfers: 0.3 mm x 45°;
6. Beam deviation: 1.52° at @1064nm, 1.56° at @532nm;



Isometric view 1:1



Specifications are subject to change without notice  
Dimensions are for reference only

	Parameters	
	S1	S2
Shape	Plano	Plano
Wedge	3°	0
Surface flatness	$\lambda/10$ @633nm	$\lambda/10$ @633nm
Surface quality	20-10 s/d	20-10 s/d
Clear aperture	>90%	>90%
Coating	-	-



PW prism, D=12.7 mm, T=6 mm

Proprietary	Name	Date	Part number	Rev.	Scale
The information in this drawing is property of EKSMA Optics. Any reproduction in part or as a whole without the written permission of EKSMA Optics is prohibited.	Approved	A.K.	2020.12.14	311-0103E	A
	Drawn	V.S.	2020.12.14		