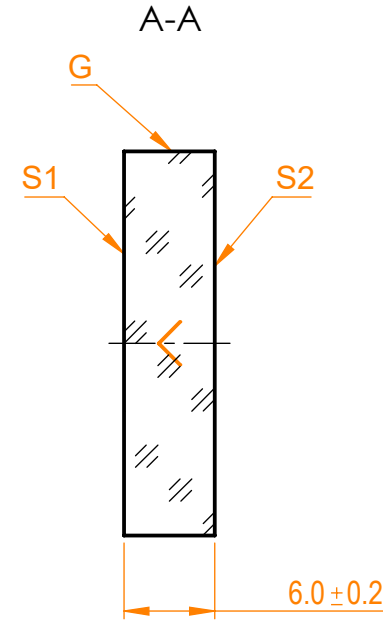
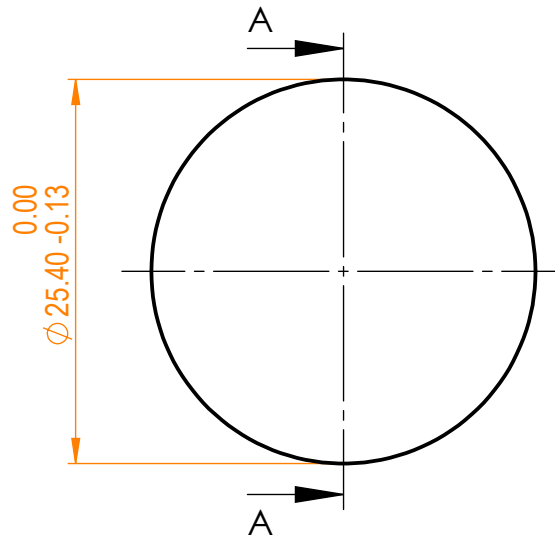


NOTES:

1. Material: UVFS;
2. G - Fine ground surface;
3. All dimensions are in mm;
4. Parallelism: <30 sec;
5. Protective chamfers: 0.3 mm x 45°;
6. Center Notch wavelength: OD>6 @532±2nm;
7. FWHM: 17nm±2nm;
8. Transmission: T>90%@400-517 + 548-710nm;



Isometric view 1:2



Specifications are subject to change without notice
Dimensions are for reference only

	Parameters	
	S1	S2
Shape	Plano	Plano
Transmitted wavelength distortion	$\lambda/10$ @633nm	$\lambda/10$ @633nm
Surface quality	40-20 s/d	40-20 s/d
Clear aperture	ϕ 21mm	ϕ 21mm
Coating	HR@525-542nm + HT>90% @400-517 and @548-710nm, AOI=0°	BBAR @400-710nm, AOI=0°



Notch filter, D=25.4 mm, T=6 mm

Proprietary	Name	Date	Part number	Rev.	Scale
The information in this drawing is property of EKSMA Optics. Any reproduction in part or as a whole without the written permission of EKSMA Optics is prohibited.	Approved	A.K.	2020.12.10	246-2506-532	A
	Drawn	V.S.	2020.12.10		