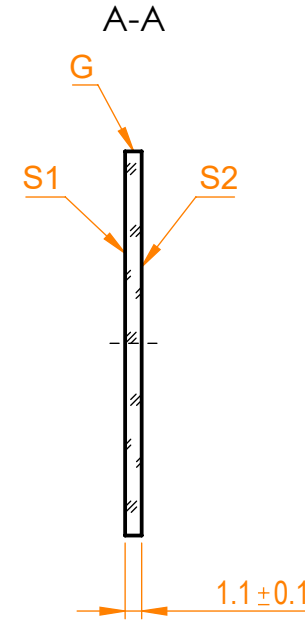
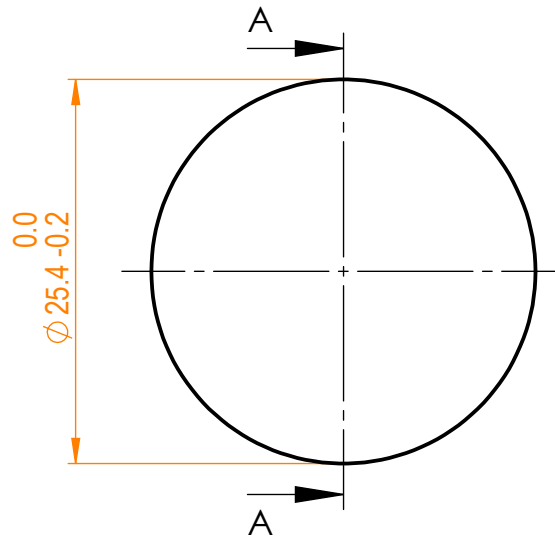
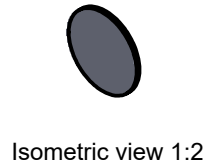


**NOTES:**

1. Material: Corning7059 (Borosilicate);
2. G - Fine ground surface;
3. All dimensions are in mm;
4. Protective chamfers: 0.3 mm x 45°;
5. Parallelism: <2 arcmin;
6. Optical density: 0.5;
7. Transmission: T>32%@550nm;
8. Laser Induced Damage Threshold: >20 mJ/cm<sup>2</sup> @1064nm, 50Hz, 10nsec pulses;



Specifications are subject to change without notice  
 Dimensions are for reference only

Parameters		
	S1	S2
Shape	Plano	Plano
Surface flatness	$\lambda$ @633nm	$\lambda$ @633nm
Surface quality	40-20 s/d	40-20 s/d
Clear aperture	>90%	>90%
Coating	Reflective metallic @400-2000nm	-



NDRT filter, D=25.4 mm, T=1.1 mm, OD=0.5

Proprietary	Approved	Name	Date	Part number	Rev.	Scale
The information in this drawing is property of EKSMA Optics. Any reproduction in part or as a whole without the written permission of EKSMA Optics is prohibited.	Approved	A.K.	2020.12.10	245-2505	A	2:1
	Drawn	V.S.	2020.12.10			