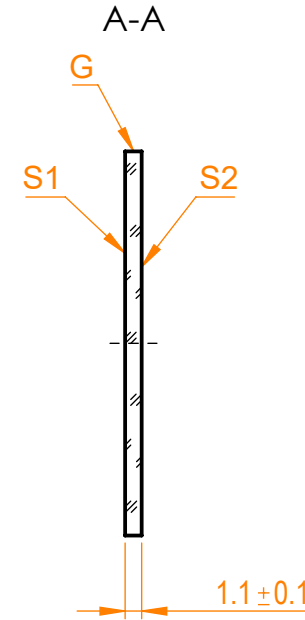
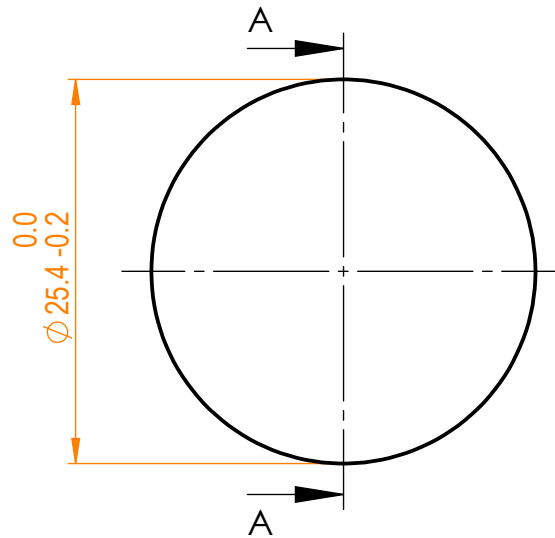
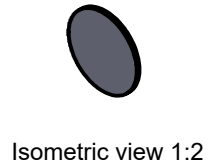


NOTES:

1. Material: Corning7059 (Borosilicate);
2. G - Fine ground surface;
3. All dimensions are in mm;
4. Protective chamfers: 0.3 mm x 45°;
5. Parallelism: <2 arcmin;
6. Optical density: 0.4;
7. Transmission: T>40%@550nm;
8. Laser Induced Damage Threshold: >20 mJ/cm² @1064nm, 50Hz, 10nsec pulses;



Specifications are subject to change without notice
 Dimensions are for reference only

| Parameters | | |
|------------------|---------------------------------|------------------|
| | S1 | S2 |
| Shape | Plano | Plano |
| Surface flatness | λ @633nm | λ @633nm |
| Surface quality | 40-20 s/d | 40-20 s/d |
| Clear aperture | >90% | >90% |
| Coating | Reflective metallic @400-2000nm | - |



NDRT filter, D=25.4 mm, T=1.1 mm, OD=0.4

| Proprietary | Approved | Name | Date | Part number | Rev. | Scale |
|---|----------|------|------------|-------------|------|-------|
| The information in this drawing is property of EKSMA Optics. Any reproduction in part or as a whole without the written permission of EKSMA Optics is prohibited. | Approved | A.K. | 2020.12.10 | 245-2504 | A | 2:1 |
| | Drawn | V.S. | 2020.12.10 | | | |