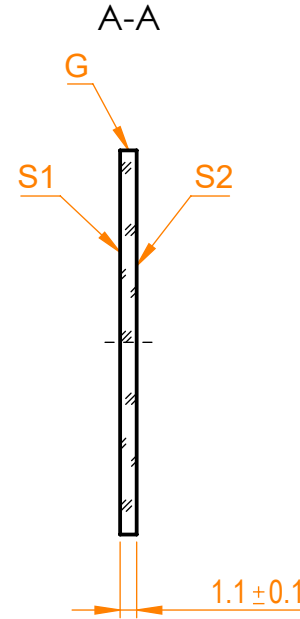
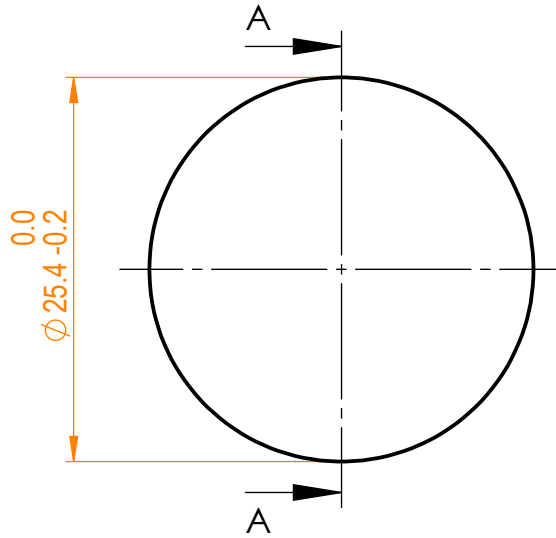
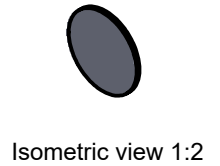



**NOTES:**

1. Material: Corning7059 (Borosilicate);
2. G - Fine ground surface;
3. All dimensions are in mm;
4. Protective chamfers: 0.3 mm x 45°;
5. Parallelism: <2 arcmin;
6. Optical density: 0.2;
7. Transmission: T>63%@550nm;
8. Laser Induced Damage Threshold: >20 mJ/cm<sup>2</sup> @1064nm, 50Hz, 10nsec pulses;



Specifications are subject to change without notice  
 Dimensions are for reference only

| Parameters       |                                 |                  |
|------------------|---------------------------------|------------------|
|                  | S1                              | S2               |
| Shape            | Plano                           | Plano            |
| Surface flatness | $\lambda$ @633nm                | $\lambda$ @633nm |
| Surface quality  | 40-20 s/d                       | 40-20 s/d        |
| Clear aperture   | >90%                            | >90%             |
| Coating          | Reflective metallic @400-2000nm | -                |



info@eksmaoptics.com  
www.eksmaoptics.com

NDRT filter, D=25.4 mm, T=1.1 mm, OD=0.2

| Proprietary   |          | Name | Date       | Part number | Rev. | Scale |
|---|----------|------|------------|-------------|------|-------|
| The information in this drawing is property of EKSMA Optics. Any reproduction in part or as a whole without the written permission of EKSMA Optics is prohibited. | Approved | A.K. | 2020.12.10 | 245-2502    | A    | 2:1   |
|   | Drawn    | V.S. | 2020.12.10 |             |      |       |