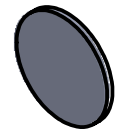
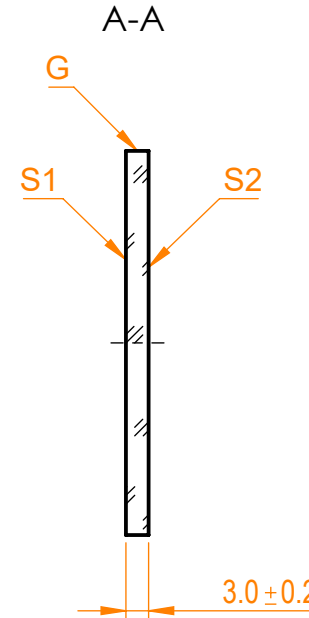
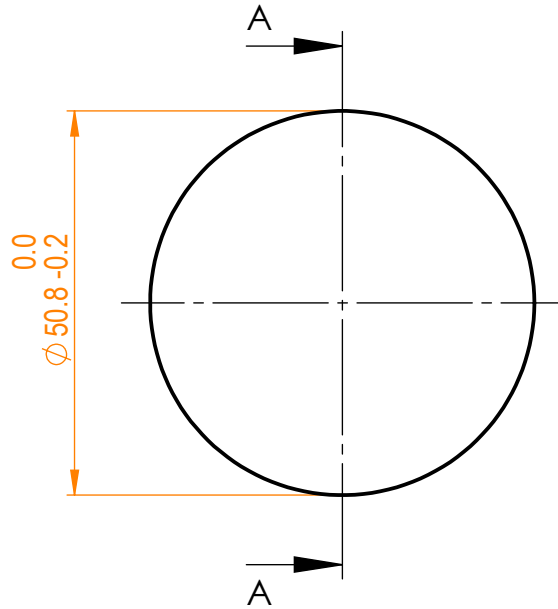


NOTES:

1. Material: Schott colored glass RG850;
2. G - Fine ground surface;
3. All dimensions are in mm;
4. Protective chamfers: 0.3 mm x 45°;
5. Parallelism: <3 arcmin;



Isometric view 1:3



Specifications are subject to change without notice
 Dimensions are for reference only

Parameters	
	S1
Shape	Plano
Surface flatness	λ @633nm
Surface quality	60-40 s/d
Clear aperture	>90%
Coating	-

EKSMA OPTICS
 info@eksmaoptics.com
 www.eksmaoptics.com

Proprietary

The information in this drawing is property of EKSMA Optics. Any reproduction in part or as a whole without the written permission of EKSMA Optics is prohibited.

CG filter, D=50.8 mm, T=3 mm				
Name	Date	Part number	Rev.	Scale
A.K.	2020.12.10	243-5850	A	1:1
V.S.	2020.12.10			