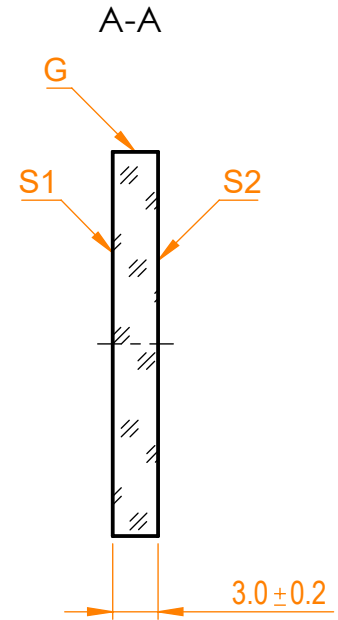
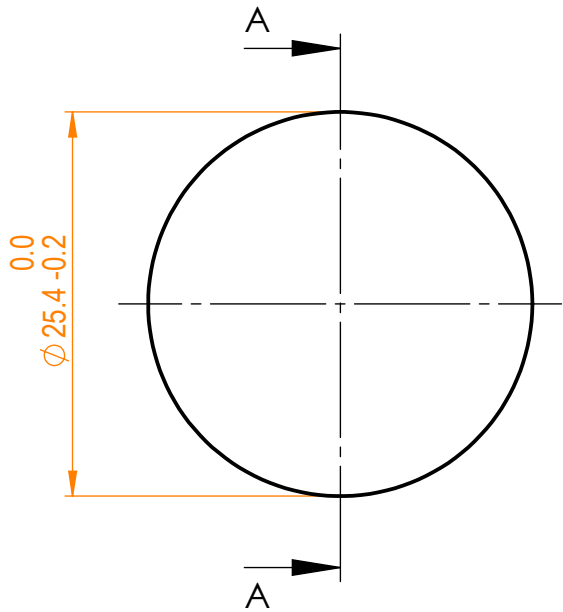


NOTES:


1. Material: Schott colored glass RG715;
2. G - Fine ground surface;
3. All dimensions are in mm;
4. Protective chamfers: 0.3 mm x 45°;
5. Parallelism: <3 arcmin;



Isometric view 1:2



Specifications are subject to change without notice
 Dimensions are for reference only

Parameters				 info@eksmaoptics.com www.eksmaoptics.com		CG filter, D=25.4 mm, T=3 mm			
	S1	S2							
Shape	Plano	Plano							
Surface flatness	λ @633nm	λ @633nm							
Surface quality	60-40 s/d	60-40 s/d							
Clear aperture	>90%	>90%							
Coating	-	-							
			Proprietary	Approved	Name	Date	Part number	Rev.	Scale
			The information in this drawing is property of EKSMA Optics. Any reproduction in part or as a whole without the written permission of EKSMA Optics is prohibited.	Drawn	A.K.	2020.12.10	243-2715	A	2:1
					V.S.	2020.12.10			