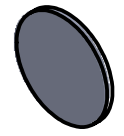
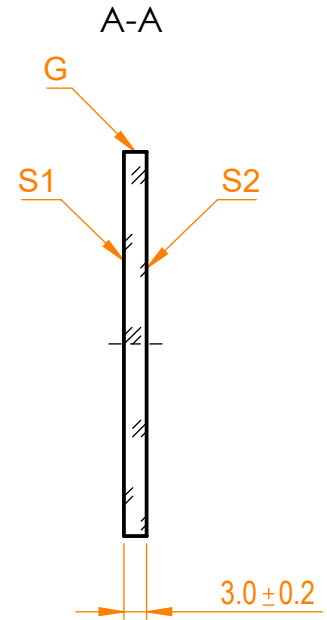
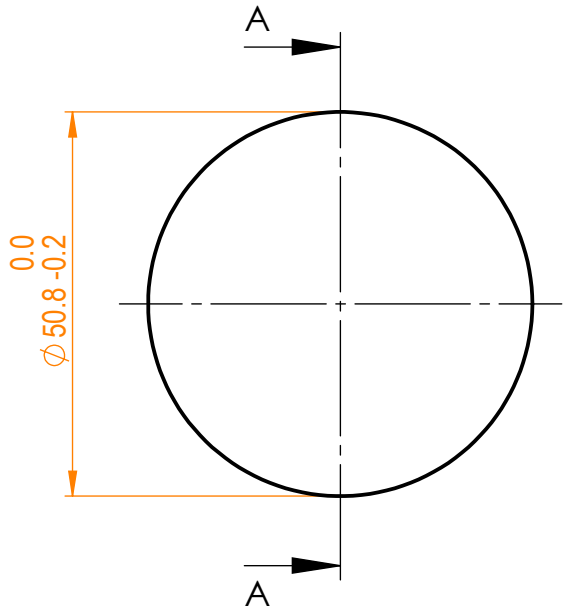


NOTES:


1. Material: Schott colored glass KG1;
2. G - Fine ground surface;
3. All dimensions are in mm;
4. Protective chamfers: 0.3 mm x 45°;
5. Parallelism: <3 arcmin;



Isometric view 1:3



Specifications are subject to change without notice  
Dimensions are for reference only

Parameters				 info@eksmaoptics.com www.eksmaoptics.com		CG filter, D=50.8 mm, T=3 mm				
	S1	S2								
Shape	Plano	Plano								
Surface flatness	$\lambda$ @633nm	$\lambda$ @633nm								
Surface quality	60-40 s/d	60-40 s/d								
Clear aperture	>90%	>90%								
Coating	-	-								
				Proprietary		Name	Date	Part number	Rev.	Scale
				The information in this drawing is property of EKSMA Optics. Any reproduction in part or as a whole without the written permission of EKSMA Optics is prohibited.	Approved	A.K.	2020.12.10	242-5001	A	1:1
					Drawn	V.S.	2020.12.10			