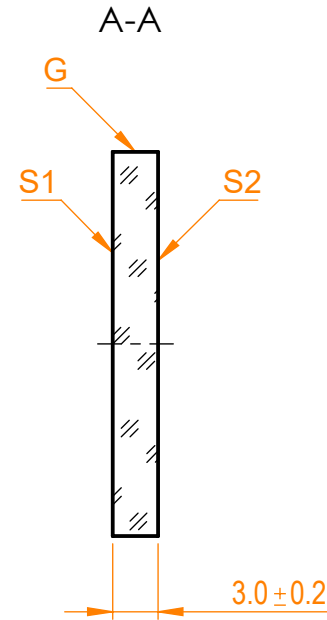
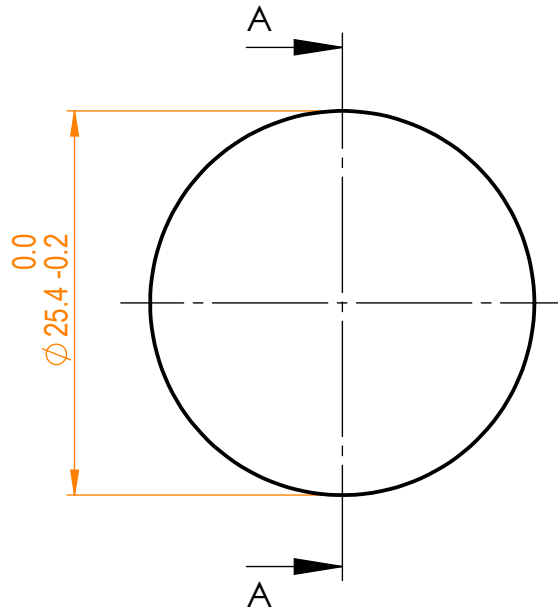


NOTES:


1. Material: Schott colored glass BG39;
2. G - Fine ground surface;
3. All dimensions are in mm;
4. Protective chamfers: 0.3 mm x 45°;
5. Parallelism: <3 arcmin;



Isometric view 1:2



Specifications are subject to change without notice
 Dimensions are for reference only

| Parameters | | | |  info@eksmaoptics.com www.eksmaoptics.com | | CG filter, D=25.4 mm, T=3 mm | | | |
|------------------|------------------|------------------|---|--|------|------------------------------|-------------|------|-------|
| | S1 | S2 | | | | | | | |
| Shape | Plano | Plano | | | | | | | |
| Surface flatness | λ @633nm | λ @633nm | | | | | | | |
| Surface quality | 60-40 s/d | 60-40 s/d | | | | | | | |
| Clear aperture | >90% | >90% | | | | | | | |
| Coating | - | - | | | | | | | |
| | | | Proprietary | Approved | Name | Date | Part number | Rev. | Scale |
| | | | The information in this drawing is property of EKSMA Optics. Any reproduction in part or as a whole without the written permission of EKSMA Optics is prohibited. | Drawn | A.K. | 2020.12.10 | 241-2039 | A | 2:1 |
| | | | | | V.S. | 2020.12.10 | | | |