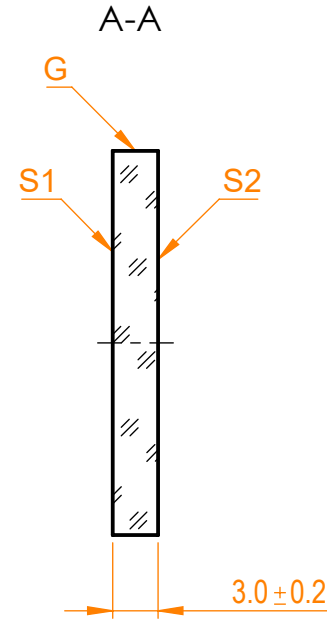
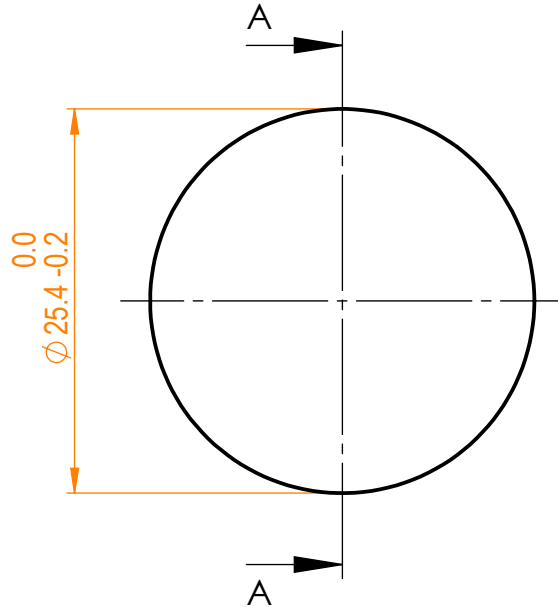


NOTES:

1. Material: Schott colored glass BG3;
2. G - Fine ground surface;
3. All dimensions are in mm;
4. Protective chamfers: 0.3 mm x 45°;
5. Parallelism: <3 arcmin;



Isometric view 1:2



Specifications are subject to change without notice
 Dimensions are for reference only

Parameters	
	S1
	S2
Shape	Plano
Surface flatness	λ @633nm
Surface quality	60-40 s/d
Clear aperture	>90%
Coating	-



CG filter, D=25.4 mm, T=3 mm

Proprietary		Name	Date	Part number	Rev.	Scale
The information in this drawing is property of EKSMA Optics. Any reproduction in part or as a whole without the written permission of EKSMA Optics is prohibited.	Approved	A.K.	2020.12.10	241-2003	A	2:1
	Drawn	V.S.	2020.12.10			