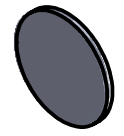
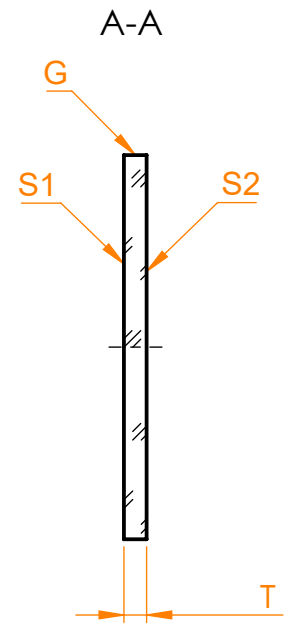
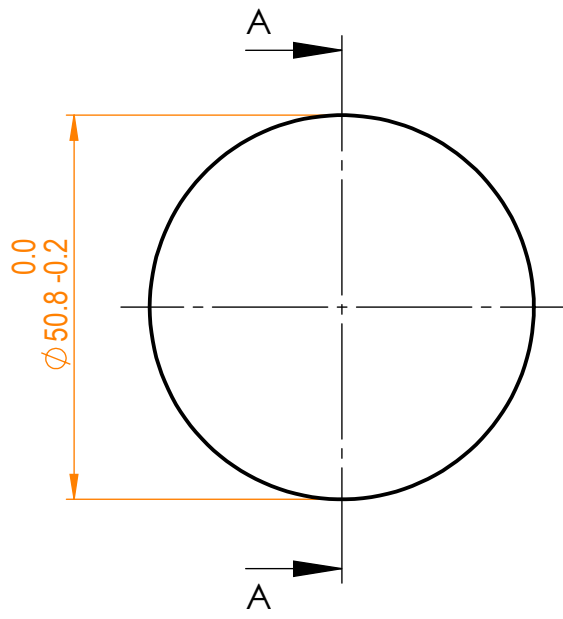


NOTES:


1. Material: Neutral Density Color Glass;
2. G - Fine ground surface;
3. Thickness depends on material;
4. All dimensions are in mm;
5. Protective chamfers: 0.3 mm x 45°;
6. Parallelism: <3 arcmin;
7. Optical density: 4;
8. Transmission: $T > 0.01\% @ 546\text{nm}$;



Isometric view 1:3



Specifications are subject to change without notice
 Dimensions are for reference only

| Parameters | | |  info@eksmaoptics.com www.eksmaoptics.com | | NDAT filter, D=50.8 mm, OD=4 | | | | |
|------------------|--------------------------|--------------------------|---|----------|------------------------------|------------|----------|-------------|------|
| | S1 | S2 | | | Proprietary | Name | Date | Part number | Rev. |
| Shape | Plano | Plano | The information in this drawing is property of EKSMA Optics. Any reproduction in part or as a whole without the written permission of EKSMA Optics is prohibited. | Approved | A.K. | 2020.12.10 | 240-5040 | A | 1:1 |
| Surface flatness | $\lambda @ 633\text{nm}$ | $\lambda @ 633\text{nm}$ | | | Drawn | V.S. | | | |
| Surface quality | 60-40 s/d | 60-40 s/d | | | | | | | |
| Clear aperture | >90% | >90% | | | | | | | |
| Coating | - | - | | | | | | | |