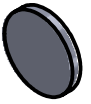
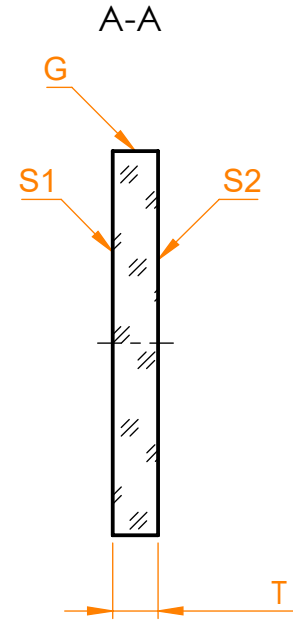
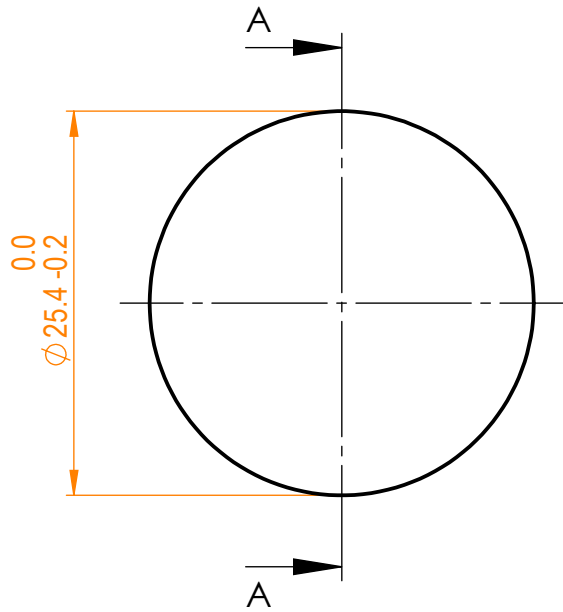


**NOTES:**

1. Material: Neutral Density Color Glass;
2. G - Fine ground surface;
3. Thickness depends on material;
4. All dimensions are in mm;
5. Protective chamfers: 0.3 mm x 45°;
6. Parallelism: <3 arcmin;
7. Optical density: 0.7;
8. Transmission: T>20%@546nm;



Isometric view 1:2



Specifications are subject to change without notice  
 Dimensions are for reference only

| Parameters       |                  |                  |
|------------------|------------------|------------------|
|                  | S1               | S2               |
| Shape            | Plano            | Plano            |
| Surface flatness | $\lambda$ @633nm | $\lambda$ @633nm |
| Surface quality  | 60-40 s/d        | 60-40 s/d        |
| Clear aperture   | >90%             | >90%             |
| Coating          | -                | -                |



NDAT filter, D=25.4 mm, OD=0.7

| Proprietary   | Name     | Date | Part number | Rev.     | Scale |
|---|----------|------|-------------|----------|-------|
| The information in this drawing is property of EKSMA Optics. Any reproduction in part or as a whole without the written permission of EKSMA Optics is prohibited. | Approved | A.K. | 2020.12.10  | 240-2507 | A     |
|   | Drawn    | V.S. | 2020.12.10  |          |       |