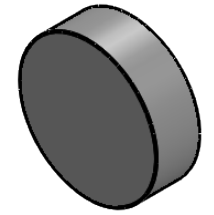
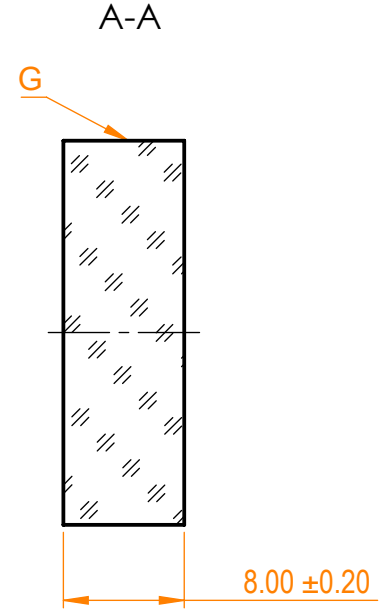
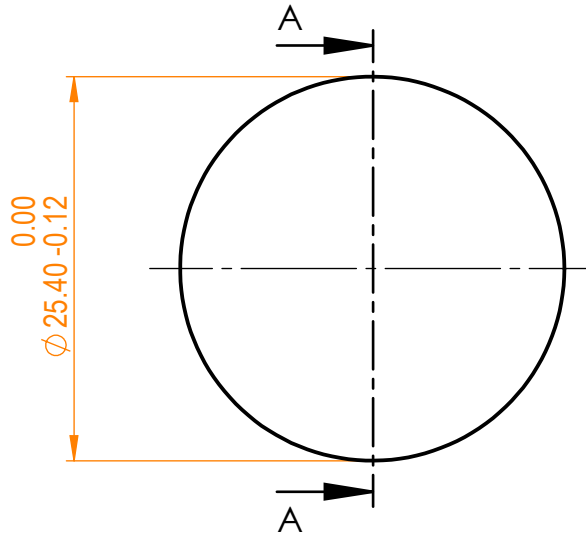


NOTES:
 1. Material: UVFS;
 2. G - Fine ground surface;
 3. All dimensions are in mm;



Isometric view 1:1



Specifications are subject to change without notice
 Dimensions are for reference only

Parameters

Shape	Plano
1st surface flatness	$\lambda/20$ @632.8 nm
2nd surface flatness	2λ @632.8 nm
Protective chamfers	0.2 - 0.3 mm x 45°



UVFS pl window, D=25.4 mm, T=8 mm

Proprietary		Name	Date	Part number	Rev.	Scale
The information in this drawing is property of EKSMA Optics. Any reproduction in part or as a whole without the written permission of EKSMA Optics is prohibited.	Approved	A.K.	2019.11.18	230-1208E	A	2:1
	Drawn	A.F.	2019.11.18			