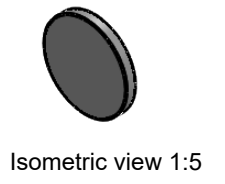
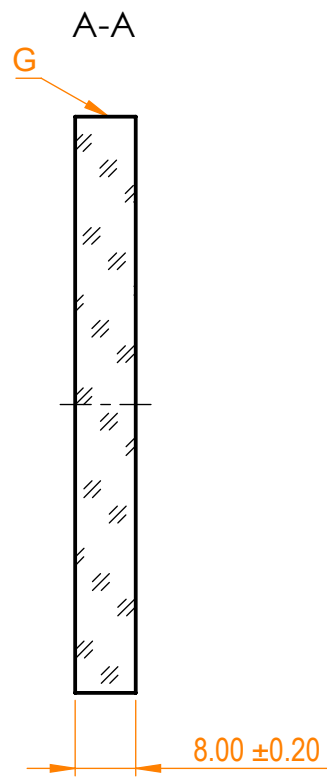
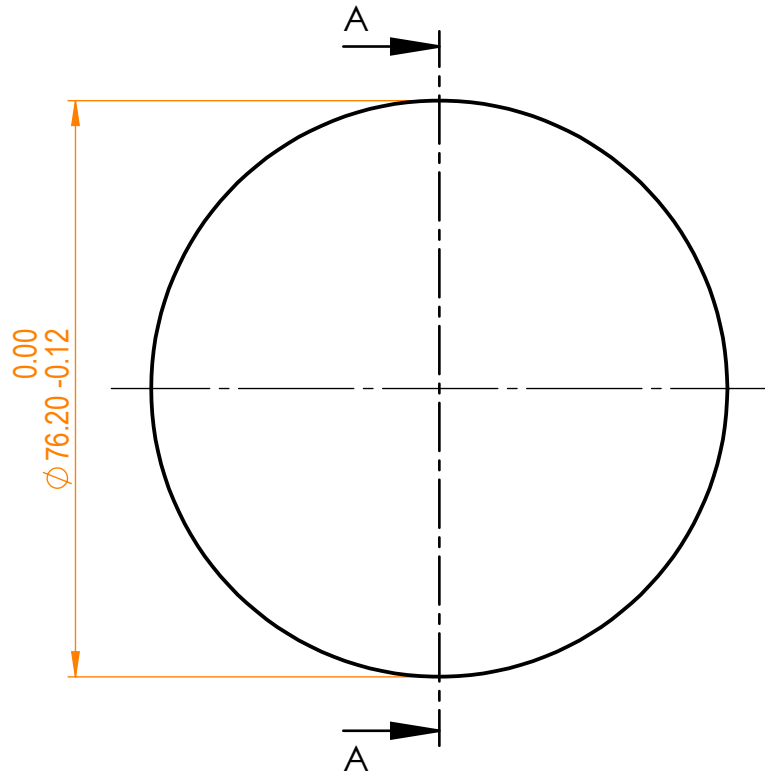



NOTES:  
 1. Material: UVFS;  
 2. G - Fine ground surface;  
 3. All dimensions are in mm;



Specifications are subject to change without notice  
 Dimensions are for reference only

| Parameters          |                       | <br>info@eksmaoptics.com<br>www.eksmaoptics.com                              |       | UVFS pl window, D=76.2 mm, T=8 mm |            |           |             |
|---------------------|-----------------------|---|-------|-----------------------------------|------------|-----------|-------------|
| Shape               | Plano                 |   |       | Proprietary                       | Name       | Date      | Part number |
| Surface quality     | 20-10 s/d             | Approved  | A.K.  |                                   | 2019.12.05 | 220-1786E | A           |
| Surface flatness    | $\lambda/4$ @632.8 nm |   | Drawn | A.F.                              | 2019.12.05 |           |             |
| Clear aperture      | ≥90%                  | The information in this drawing is property of EKSMA Optics. Any reproduction in part or as a whole without the written permission of EKSMA Optics is prohibited. |       |                                   |            |           |             |
| Protective chamfers | 0.2 - 0.3 mm x 45°    |   |       |                                   |            |           |             |
| Parallelism         | 1 arcmin              |   |       |                                   |            |           |             |