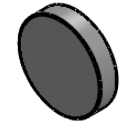
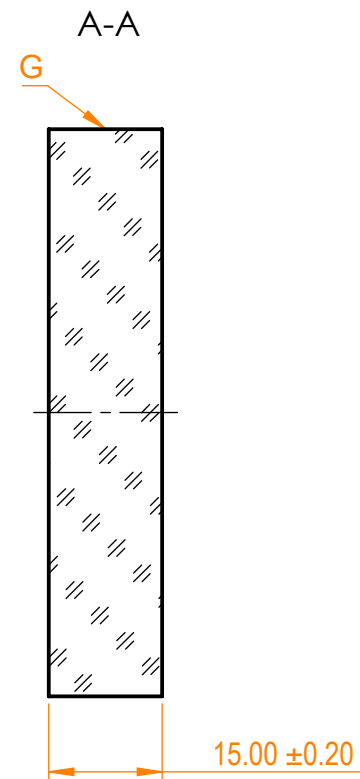
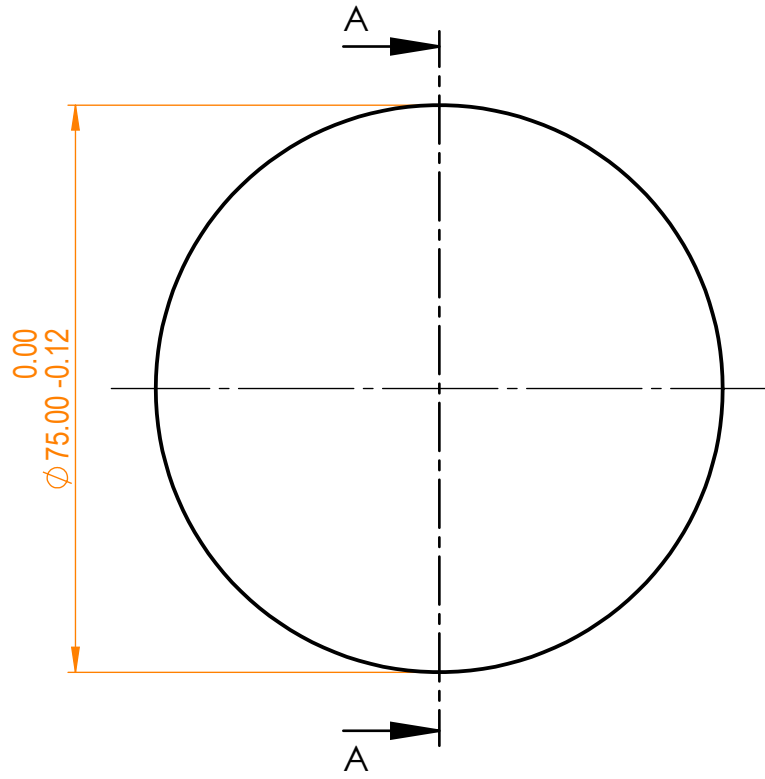



NOTES:
 1. Material: UVFS;
 2. G - Fine ground surface;
 3. All dimensions are in mm;



Isometric view 1:5



Specifications are subject to change without notice
 Dimensions are for reference only

Parameters		 info@eksmaoptics.com www.eksmaoptics.com		UVFS pl window, D=75 mm, T=15 mm				
Shape	Plano			Name	Date	Part number	Rev.	Scale
Surface quality	20-10 s/d	Proprietary	Approved	A.K.	2019.12.05	220-1752M	A	1:1
Surface flatness	$\lambda/10$ @632.8 nm			A.F.	2019.12.05			
Clear aperture	$\geq 90\%$	The information in this drawing is property of EKSMA Optics. Any reproduction in part or as a whole without the written permission of EKSMA Optics is prohibited.	Drawn					
Protective chamfers	0.2 - 0.3 mm x 45°							
Parallelism	30 arcsec							