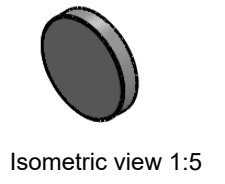
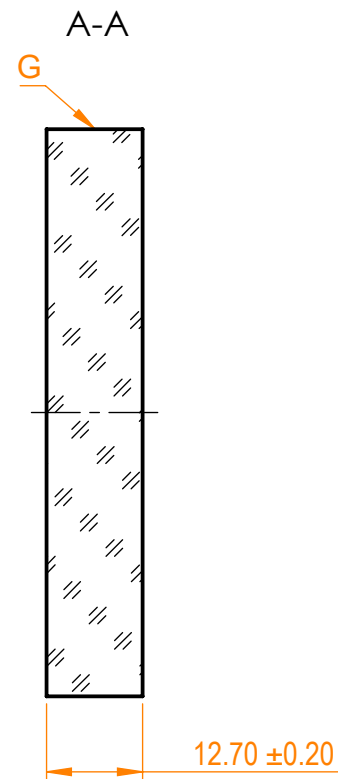
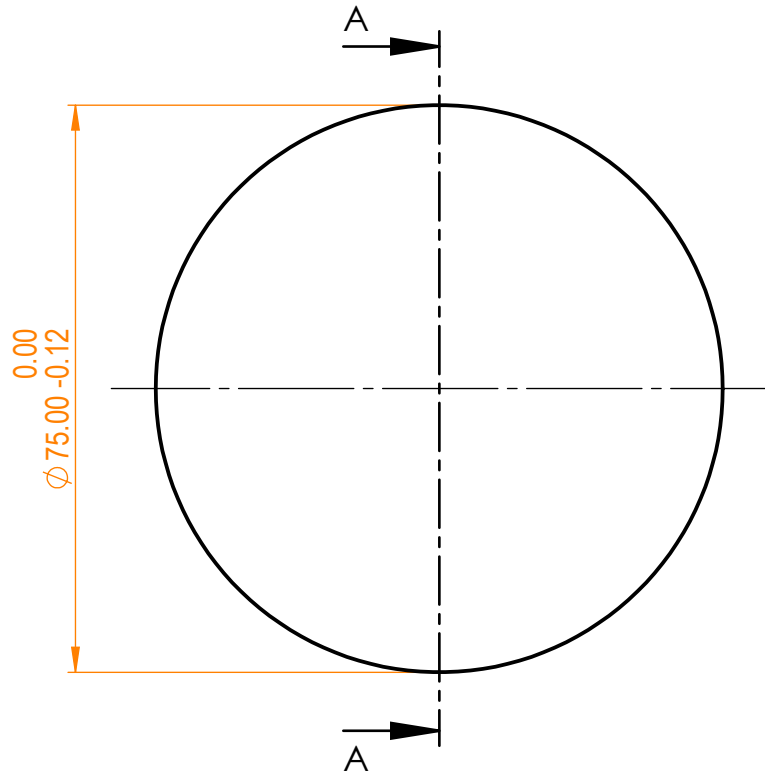



NOTES:
 1. Material: UVFS;
 2. G - Fine ground surface;
 3. All dimensions are in mm;



Specifications are subject to change without notice
 Dimensions are for reference only

| Parameters | |  info@eksmaoptics.com www.eksmaoptics.com | | UVFS pl window, D=75 mm, T=12.7 mm | | | |
|---------------------|------------------------|---|-------|------------------------------------|------------|-----------|-------------|
| Shape | Plano | | | Proprietary | Name | Date | Part number |
| Surface quality | 20-10 s/d | Approved | A.K. | | 2019.12.05 | 220-1722M | A |
| Surface flatness | $\lambda/10$ @632.8 nm | The information in this drawing is property of EKSMA Optics. Any reproduction in part or as a whole without the written permission of EKSMA Optics is prohibited. | Drawn | A.F. | 2019.12.05 | | |
| Clear aperture | $\geq 90\%$ | | | | | | |
| Protective chamfers | 0.2 - 0.3 mm x 45° | | | | | | |
| Parallelism | 30 arcsec | | | | | | |