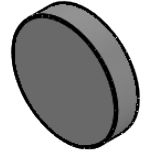
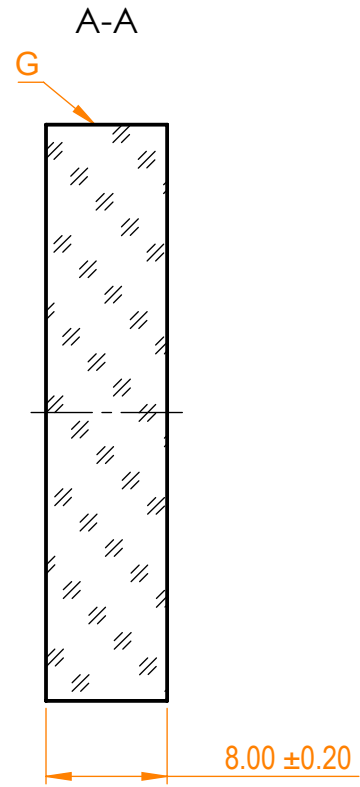
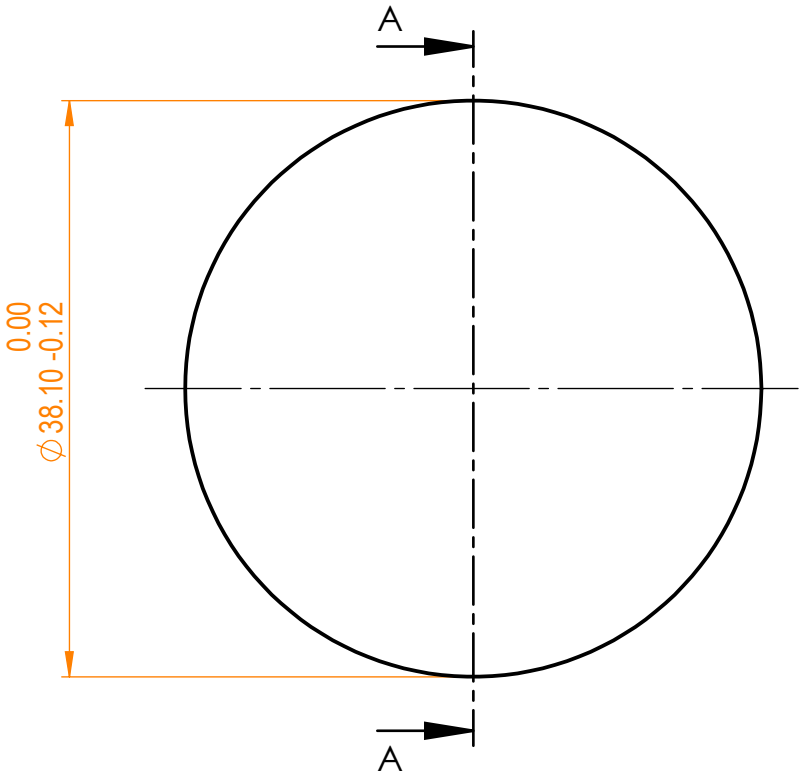


NOTES:
 1. Material: UVFS;
 2. G - Fine ground surface;
 3. All dimensions are in mm;




Isometric view 1:2



Specifications are subject to change without notice
 Dimensions are for reference only

Parameters	
Shape	Plano
Surface quality	20-10 s/d
Surface flatness	$\lambda/4$ @632.8 nm
Clear aperture	≥90%
Protective chamfers	0.2 - 0.3 mm x 45°
Parallelism	1 arcmin



info@eksmaoptics.com
www.eksmaoptics.com

UVFS pl window, D=38,1 mm, T=8 mm

Proprietary	Name	Date	Part number	Rev.	Scale
The information in this drawing is property of EKSMA Optics. Any reproduction in part or as a whole without the written permission of EKSMA Optics is prohibited.	Approved	A.K.	2019.12.05	220-1406E	A
	Drawn	A.F.	2019.12.05		