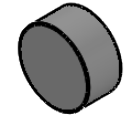
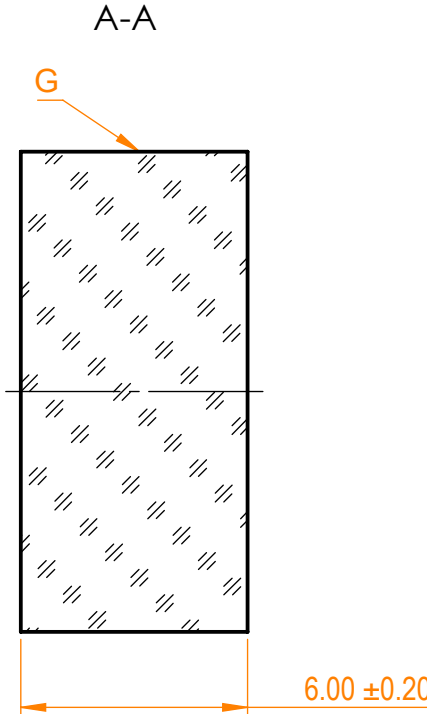
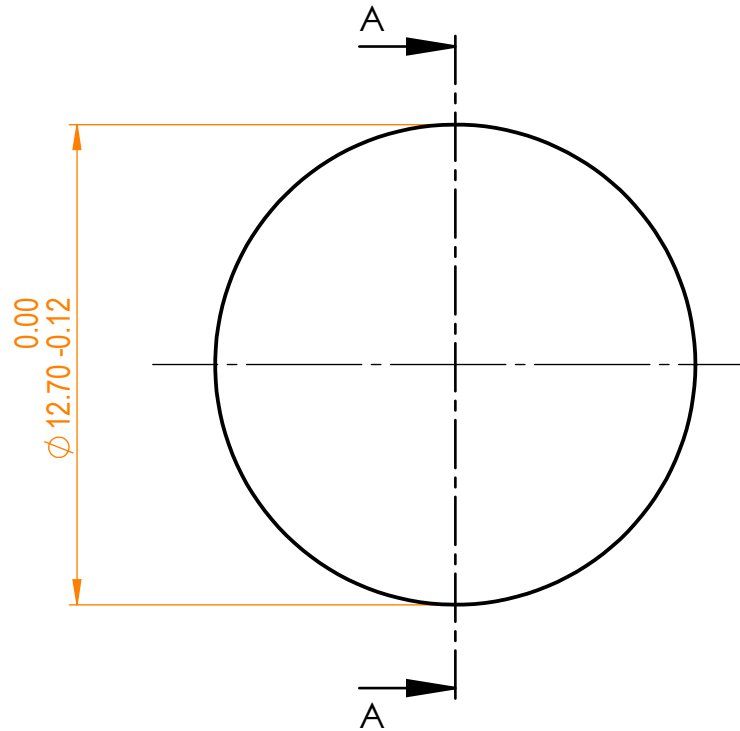


NOTES:
 1. Material: UVFS;
 2. G - Fine ground surface;
 3. All dimensions are in mm;



Isometric view 1:1



Specifications are subject to change without notice
 Dimensions are for reference only

Parameters

| | |
|---------------------|------------------------|
| Shape | Plano |
| Surface quality | 20-10 s/d |
| Surface flatness | $\lambda/10$ @632.8 nm |
| Clear aperture | $\geq 90\%$ |
| Protective chamfers | 0.2 - 0.3 mm x 45° |
| Parallelism | 30 arcsec |



UVFS pl window, D=12.7 mm, T=6 mm

| | | | | | | |
|---|----------|------|------------|-------------|------|-------|
| Proprietary | | Name | Date | Part number | Rev. | Scale |
| The information in this drawing is property of EKSMA Optics. Any reproduction in part or as a whole without the written permission of EKSMA Optics is prohibited. | Approved | A.K. | 2019.12.05 | 220-1161E | A | 5:1 |
| | Drawn | A.F. | 2019.12.05 | | | |