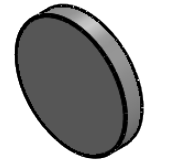
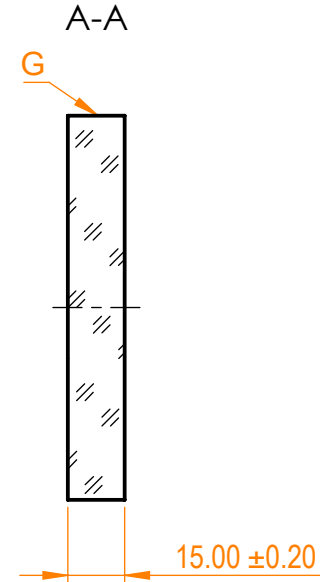
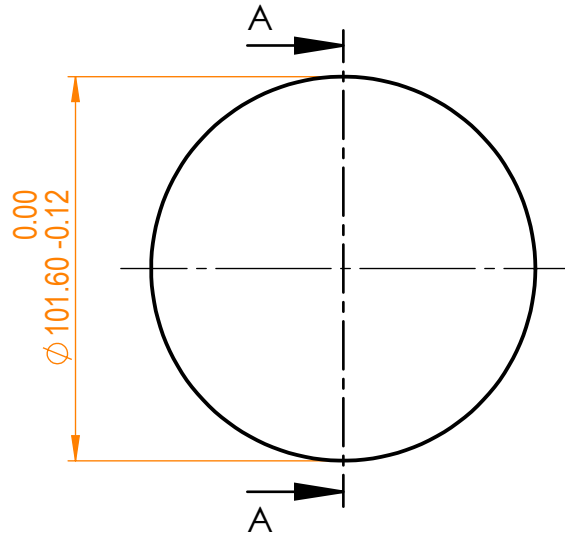


NOTES:  
 1. Material: BK7;  
 2. G - Fine ground surface;  
 3. All dimensions are in mm;



Isometric view 1:5



Specifications are subject to change without notice  
 Dimensions are for reference only

Parameters

|                     |                        |
|---------------------|------------------------|
| Shape               | Plano                  |
| Surface quality     | 20-10 s/d              |
| Surface flatness    | $\lambda/10$ @632.8 nm |
| Clear aperture      | $\geq 90\%$            |
| Protective chamfers | 0.2 - 0.3 mm x 45°     |
| Parallelism         | 30 arcsec              |



BK7 pl window, D=101.6 mm, T=15 mm

|   |          |      |            |             |      |       |
|---|----------|------|------------|-------------|------|-------|
| Proprietary   |          | Name | Date       | Part number | Rev. | Scale |
| The information in this drawing is property of EKSMA Optics. Any reproduction in part or as a whole without the written permission of EKSMA Optics is prohibited. | Approved | A.K. | 2019.12.05 | 220-0852E   | A    | 1:2   |
|   | Drawn    | A.F. | 2019.12.05 |             |      |       |