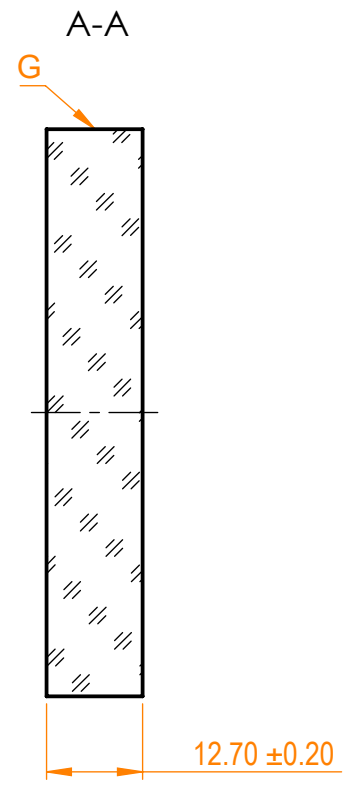
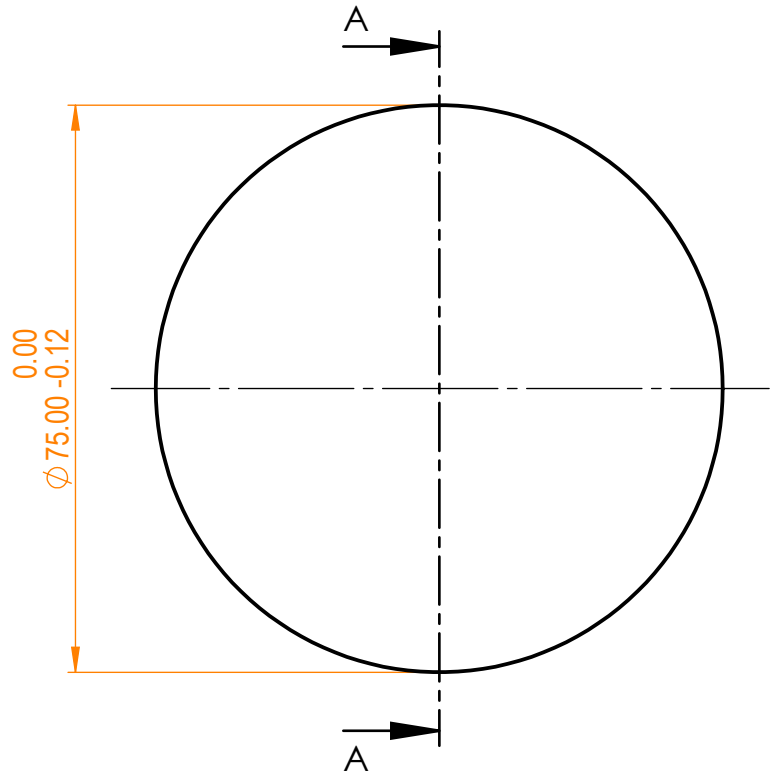
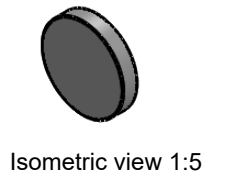



NOTES:
 1. Material: BK7;
 2. G - Fine ground surface;
 3. All dimensions are in mm;



Specifications are subject to change without notice
 Dimensions are for reference only

Parameters		 info@eksmaoptics.com www.eksmaoptics.com		BK7 pl window, D=75 mm, T=12.7 mm				
Shape	Plano			Name	Date	Part number	Rev.	Scale
Surface quality	20-10 s/d	Proprietary	Approved	A.K.	2019.12.05	220-0722M	A	1:1
Surface flatness	$\lambda/10$ @632.8 nm			A.F.	2019.12.05			
Clear aperture	≥90%	The information in this drawing is property of EKSMA Optics. Any reproduction in part or as a whole without the written permission of EKSMA Optics is prohibited.	Drawn					
Protective chamfers	0.2 - 0.3 mm x 45°							
Parallelism	30 arcsec							