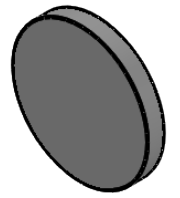
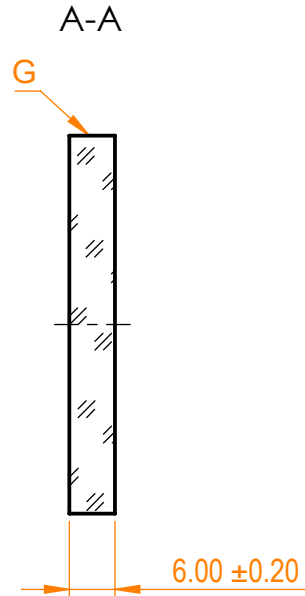
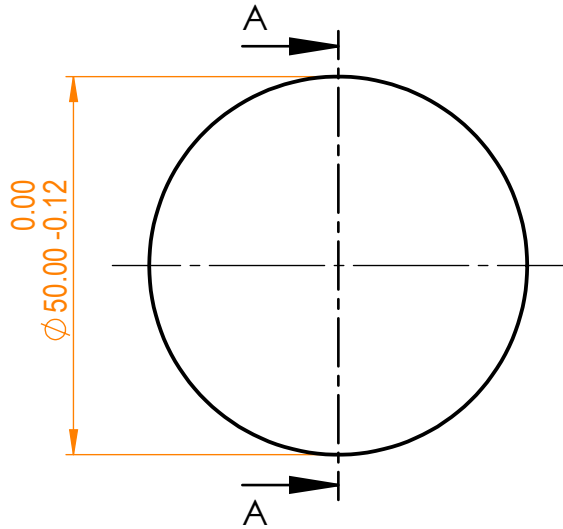


NOTES:
 1. Material: BK7;
 2. G - Fine ground surface;
 3. All dimensions are in mm;



Isometric view 1:2



Specifications are subject to change without notice
 Dimensions are for reference only

Parameters

| | |
|---------------------|-----------------------|
| Shape | Plano |
| Surface quality | 20-10 s/d |
| Surface flatness | $\lambda/4$ @632.8 nm |
| Clear aperture | $\geq 90\%$ |
| Protective chamfers | 0.2 - 0.3 mm x 45° |
| Parallelism | 1 arcmin |



BK7 pl window, D=50 mm, T=6 mm

| | | | | | | |
|---|----------|------|------------|-------------|------|-------|
| Proprietary | | Name | Date | Part number | Rev. | Scale |
| The information in this drawing is property of EKSMA Optics. Any reproduction in part or as a whole without the written permission of EKSMA Optics is prohibited. | Approved | A.K. | 2019.12.05 | 220-0566M | A | 1:1 |
| | Drawn | A.F. | 2019.12.05 | | | |