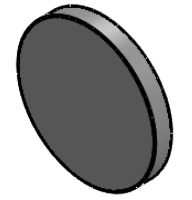
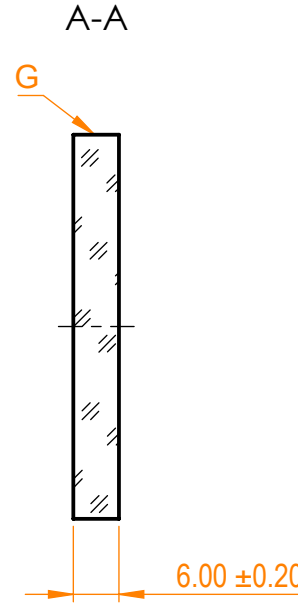
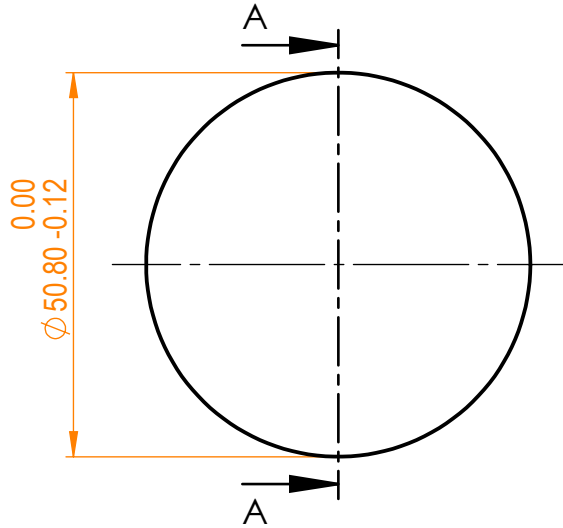


NOTES:
 1. Material: BK7;
 2. G - Fine ground surface;
 3. All dimensions are in mm;



Isometric view 1:2



Specifications are subject to change without notice
 Dimensions are for reference only

Parameters	
Shape	Plano
Surface quality	20-10 s/d
Surface flatness	$\lambda/4$ @632.8 nm
Clear aperture	$\geq 90\%$
Protective chamfers	0.2 - 0.3 mm x 45°
Parallelism	1 arcmin

EKSMA OPTICS
 info@eksmaoptics.com
 www.eksmaoptics.com

Proprietary

The information in this drawing is property of EKSMA Optics. Any reproduction in part or as a whole without the written permission of EKSMA Optics is prohibited.

Approved

Drawn

BK7 pl window, D=50.8 mm, T=6 mm					
Name	Date	Part number	Rev.	Scale	
A.K.	2019.12.05	220-0566E	A	1:1	
A.F.	2019.12.05				