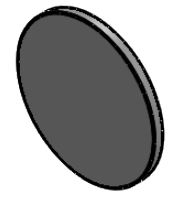
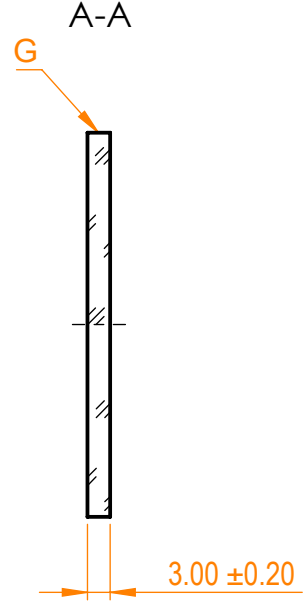
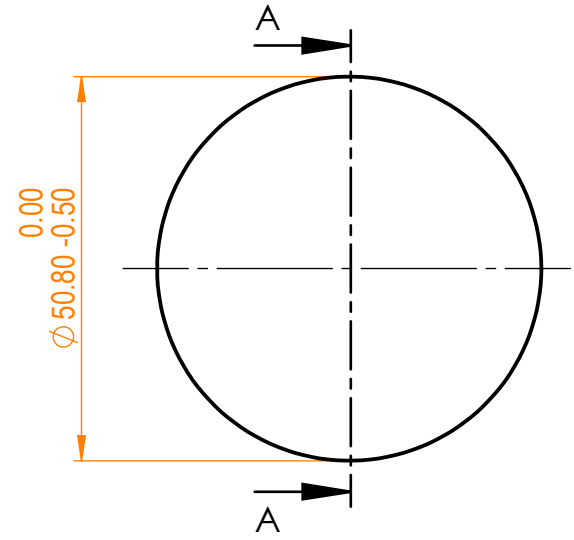



NOTES:  
 1. Material: UVFS;  
 2. G - Fine ground surface;  
 3. All dimensions are in mm;



Isometric view 1:2



Specifications are subject to change without notice  
 Dimensions are for reference only

Parameters		 info@eksmaoptics.com www.eksmaoptics.com		UVFS pl window, D=50.8 mm, T=3 mm				
Shape	Plano			Proprietary  The information in this drawing is property of EKSMA Optics. Any reproduction in part or as a whole without the written permission of EKSMA Optics is prohibited.	Approved	Name	Date	Part number
Surface quality	60-40 s/d	A.K.	2019.11.18			210-1503E	A	
Surface flatness	1 λ @632.8 nm	Drawn	A.F.		2019.11.18			
Clear aperture	≥80%							
Protective chamfers	0.2 - 0.3 mm x 45°							
Parallelism	2 arcmin							