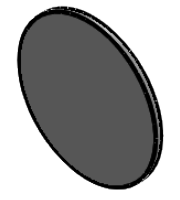
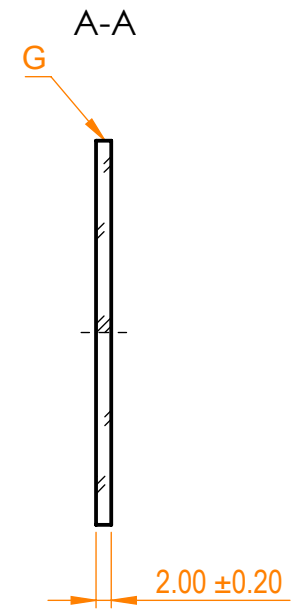
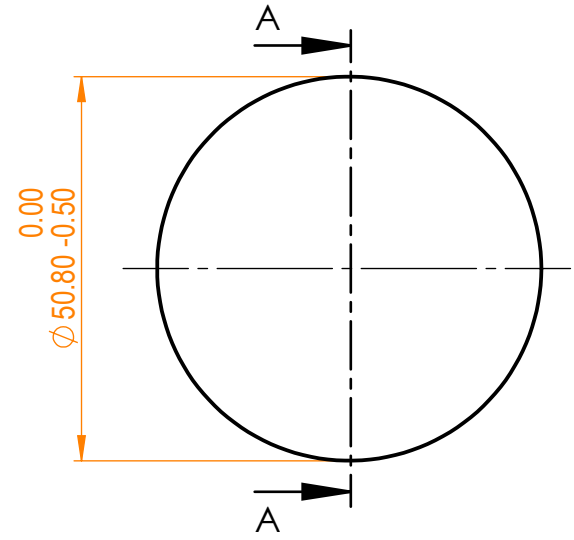


NOTES:  
 1. Material: UVFS;  
 2. G - Fine ground surface;  
 3. All dimensions are in mm;



Isometric view 1:2



Specifications are subject to change without notice  
 Dimensions are for reference only

Parameters	
Shape	Plano
Surface quality	60-40 s/d
Surface flatness	1 λ @632.8 nm
Clear aperture	≥80%
Protective chamfers	0.2 - 0.3 mm x 45°
Parallelism	2 arcmin



UVFS pl window, D=50.8 mm, T=2 mm

Proprietary	Approved	Name	Date	Part number	Rev.	Scale
The information in this drawing is property of EKSMA Optics. Any reproduction in part or as a whole without the written permission of EKSMA Optics is prohibited.	Approved	A.K.	2019.11.18	210-1502E	A	2:1
	Drawn	A.F.	2019.11.18			