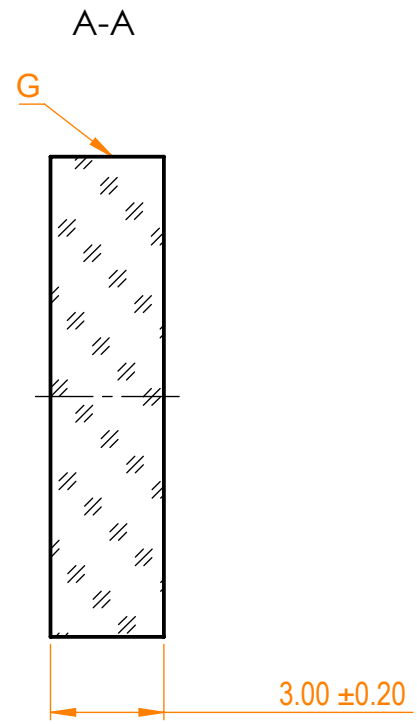
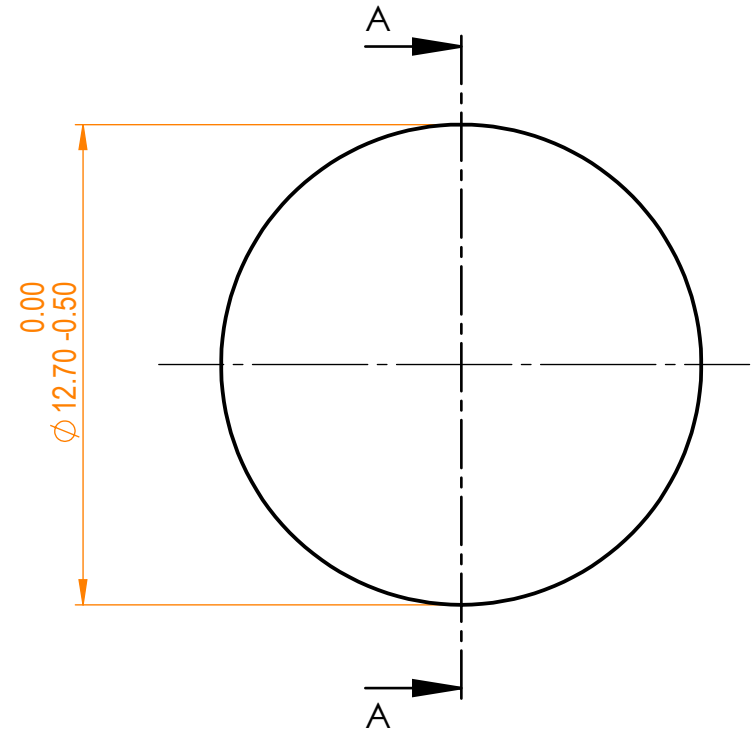


NOTES:  
 1. Material: UVFS;  
 2. G - Fine ground surface;  
 3. All dimensions are in mm;



Isometric view 1:1



Specifications are subject to change without notice  
 Dimensions are for reference only

Parameters

Shape	Plano
Surface quality	60-40 s/d
Surface flatness	$1 \lambda @ 632.8 \text{ nm}$
Clear aperture	$\geq 80\%$
Protective chamfers	$0.2 - 0.3 \text{ mm} \times 45^\circ$
Parallelism	2 arcmin



UVFS pl window, D=12.7 mm, T=3 mm

Proprietary		Name	Date	Part number	Rev.	Scale
The information in this drawing is property of EKSMA Optics. Any reproduction in part or as a whole without the written permission of EKSMA Optics is prohibited.	Approved	A.K.	2019.11.18	210-1103E	A	5:1
	Drawn	A.F.	2019.11.18			