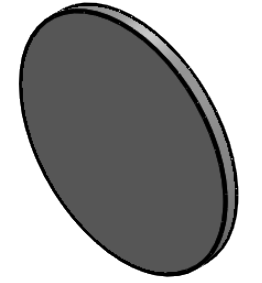
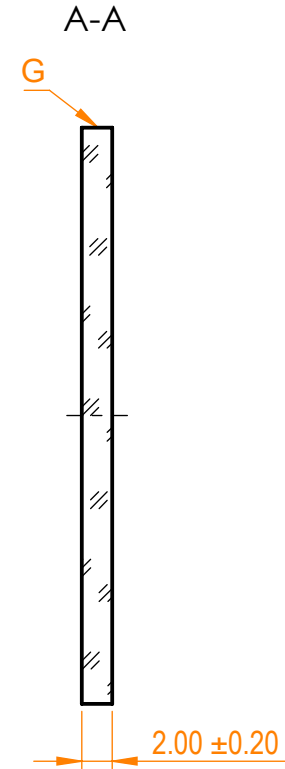
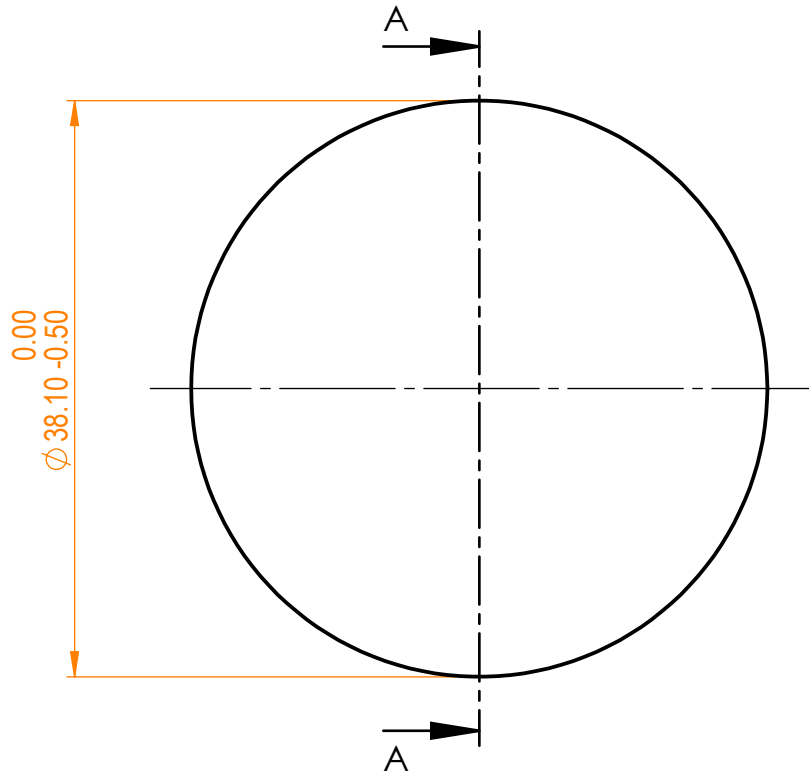



NOTES:
 1. Material: BK7;
 2. G - Fine ground surface;
 3. All dimensions are in mm;



Isometric view 1:1

Specifications are subject to change without notice
 Dimensions are for reference only

Parameters		 info@eksmaoptics.com www.eksmaoptics.com		BK7 pl window, D=38.1 mm, T=2 mm				
Shape	Plano			Proprietary The information in this drawing is property of EKSMA Optics. Any reproduction in part or as a whole without the written permission of EKSMA Optics is prohibited.	Approved	Name	Date	Part number
Surface quality	60-40 s/d	A.K.	2019.11.18					
Surface flatness	$1 \lambda @ 632.8 \text{ nm}$	Drawn	A.F.		2019.11.18	210-0402E	A	2:1
Clear aperture	$\geq 80\%$							
Protective chamfers	$0.2 - 0.3 \text{ mm} \times 45^\circ$							
Parallelism	2 arcmin							