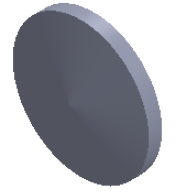
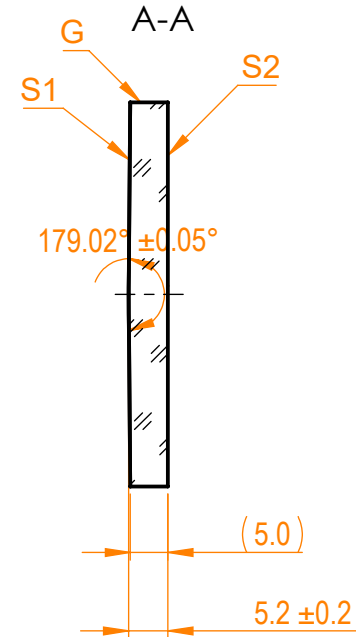
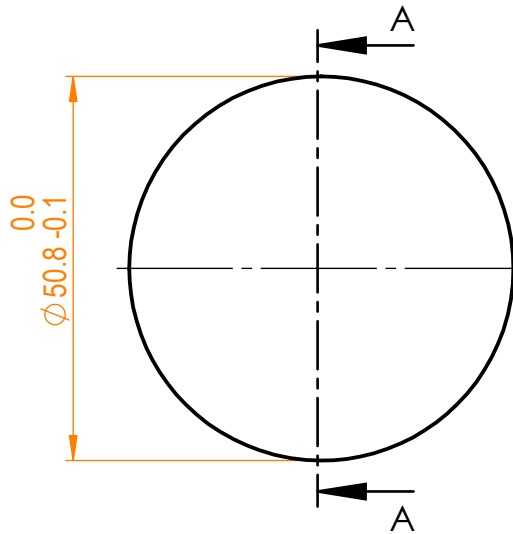


**NOTES:**

1. Material: UVFS;
2. Apex Angle:  $179^\circ \pm 0.05^\circ$ ;
3. Centration error:  $\leq 3$  arcmin;
4. G - Fine ground surface;
5. All dimensions are in mm;



Isometric view 1:2



Specifications are subject to change without notice  
Dimensions are for reference only

Parameters		
	S1	S2
Shape	Convex	Plano
Apex rounding	dia <0.4 mm	-
Surface quality	40-20 s/d	40-20 s/d
Surface irregularity	$\lambda/4$ @632.8 nm	$\lambda/4$ @632.8 nm
Clear aperture	$\geq 90\%$	$\geq 90\%$
Protective chamfers	0.2 - 0.3 mm x $45^\circ$	0.2 - 0.3 mm x $45^\circ$



UVFS pl/cx axicon lens,  
D=50.8 mm,  $179^\circ$  apex angle

Proprietary	Name	Date	Part number	Rev.	Scale
The information in this drawing is property of EKSMA Optics. Any reproduction in part or as a whole without the written permission of EKSMA Optics is prohibited.	Approved	A.K.	2020.03.20	131-1579	A
	Drawn	M.B.	2020.03.20		