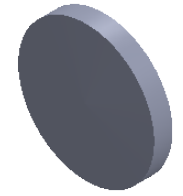
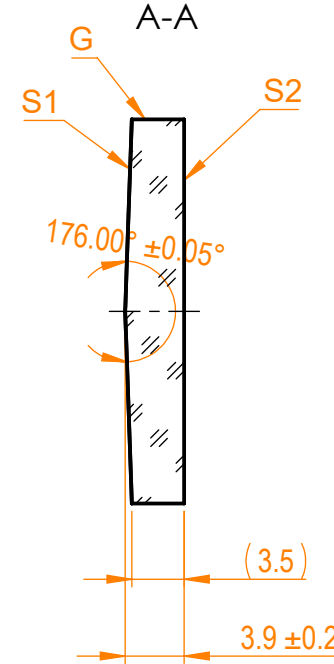
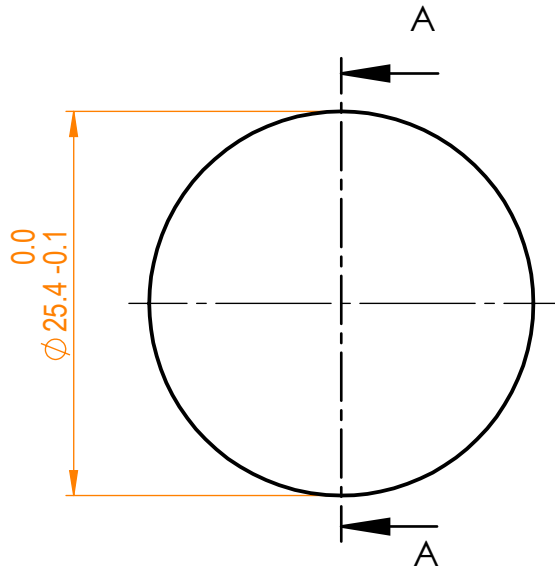


NOTES:


1. Material: UVFS;
2. Apex Angle: $176^\circ \pm 0.05^\circ$;
3. Centration error: ≤ 3 arcmin;
4. G - Fine ground surface;
5. All dimensions are in mm;



Isometric view 1:1



Specifications are subject to change without notice
Dimensions are for reference only

Parameters				 info@eksmaoptics.com www.eksmaoptics.com		UVFS pl/cx axicon lens, D=25.4 mm, 176° apex angle				
	S1	S2								
Shape	Convex	Plano								
Apex rounding	dia <0.4 mm	-								
Surface quality	40-20 s/d	40-20 s/d								
Surface irregularity	$\lambda/4$ @632.8 nm	$\lambda/4$ @632.8 nm								
Clear aperture	$\geq 90\%$	$\geq 90\%$								
Protective chamfers	0.2 - 0.3 mm x 45°	0.2 - 0.3 mm x 45°								
				Proprietary		Name	Date	Part number	Rev.	Scale
				The information in this drawing is property of EKSMA Optics. Any reproduction in part or as a whole without the written permission of EKSMA Optics is prohibited.	Approved	A.K.	2020.03.20	131-1276	A	2:1
					Drawn	M.B.	2020.03.20			