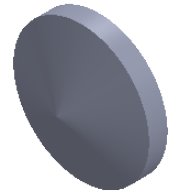
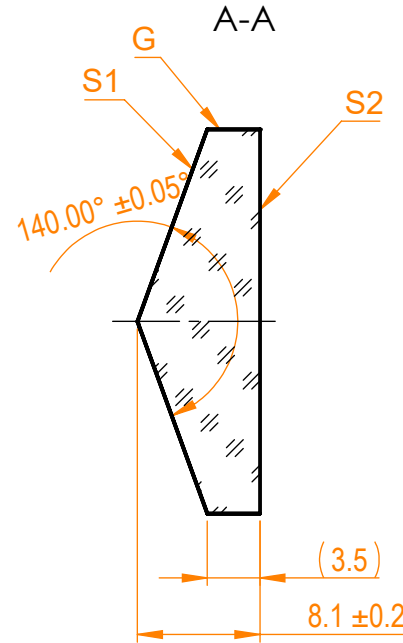
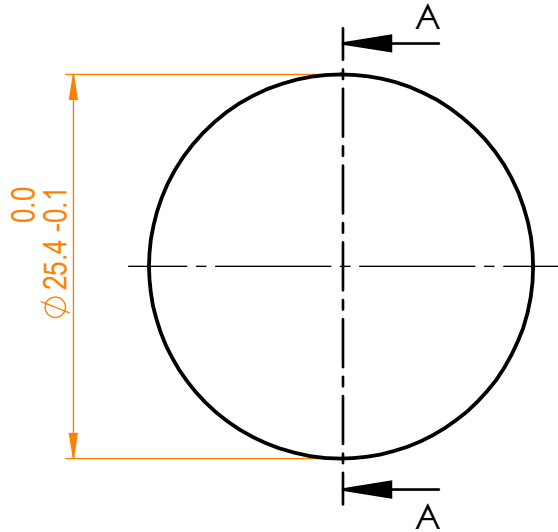


NOTES:

1. Material: UVFS;
2. Apex Angle: $140^\circ \pm 0.05^\circ$;
3. Centration error: ≤ 3 arcmin;
4. G - Fine ground surface;
5. All dimensions are in mm;



Isometric view 1:1



Specifications are subject to change without notice
Dimensions are for reference only

Parameters

| | S1 | S2 |
|----------------------|---------------------------|---------------------------|
| Shape | Convex | Plano |
| Apex rounding | dia <0.4 mm | - |
| Surface quality | 40-20 s/d | 40-20 s/d |
| Surface irregularity | $\lambda/4$ @632.8 nm | $\lambda/4$ @632.8 nm |
| Clear aperture | $\geq 90\%$ | $\geq 90\%$ |
| Protective chamfers | 0.2 - 0.3 mm x 45° | 0.2 - 0.3 mm x 45° |



UVFS pl/cx axicon lens,
D=25.4 mm, 140° apex angle

| Proprietary | Name | Date | Part number | Rev. | Scale |
|---|----------|------|-------------|----------|-------|
| The information in this drawing is property of EKSMA Optics. Any reproduction in part or as a whole without the written permission of EKSMA Optics is prohibited. | Approved | A.K. | 2020.03.20 | 131-1240 | A |
| | Drawn | M.B. | 2020.03.20 | | |